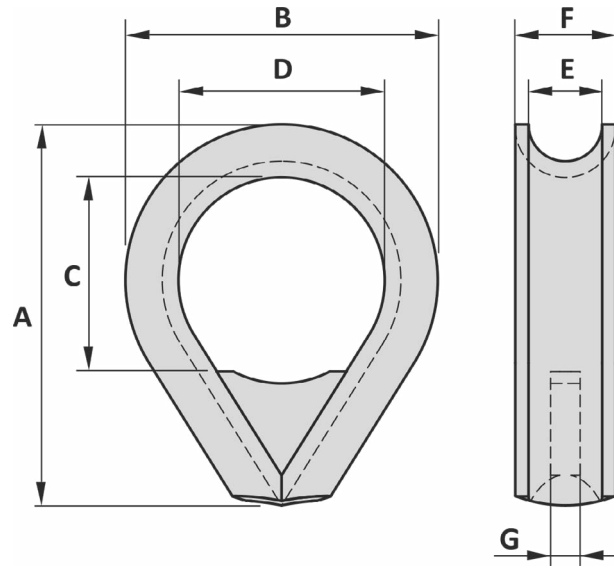


Material : Mild steel  
 Finish : Galvanized  
 Temperature range : -20°C up to +200°C  
 Standard certification : Certificate of Conformity

Suitable for wire rope  
 Non-standard sizes or custom products available on request



| Art. No. | A<br>inch | B<br>mm | C<br>mm | D<br>mm | E<br>mm | F<br>mm | G<br>mm | Packing | Weight<br>kg/100 |
|----------|-----------|---------|---------|---------|---------|---------|---------|---------|------------------|
| 11040999 | 4         | 75      | 50      | 50      | 17      | 22      | 6       | 10      | 40               |
| 11045999 | 4 ½       | 85      | 50      | 53      | 19      | 25      | 6       | 10      | 50               |
| 11050999 | 5         | 100     | 60      | 60      | 21      | 29      | 8       | 10      | 80               |
| 11055999 | 5 ½       | 110     | 60      | 65      | 23      | 33      | 8       | 10      | 90               |
| 11069999 | 6         | 115     | 70      | 70      | 25      | 34      | 8       | 10      | 100              |
| 11079999 | 7         | 135     | 75      | 80      | 30      | 38      | 10      | 10      | 170              |
| 11089999 | 8         | 155     | 80      | 100     | 33      | 44      | 10      | 10      | 250              |
| 11099999 | 9         | 175     | 110     | 115     | 38      | 49      | 10      | 10      | 400              |
| 11109999 | 10        | 190     | 120     | 120     | 41      | 52      | 15      | 10      | 450              |
| 11119999 | 11        | 210     | 120     | 130     | 46      | 60      | 15      | 10      | 700              |
| 11129999 | 12        | 245     | 140     | 145     | 52      | 65      | 15      | 10      | 830              |
| 11149999 | 14        | 260     | 155     | 155     | 60      | 72      | 20      | 10      | 1250             |
| 11179999 | 17        | 310     | 200     | 190     | 70      | 84      | 20      | 10      | 1800             |
| 11199999 | 19        | 350     | 235     | 230     | 81      | 119     | 20      | 10      | 3050             |
| 11229999 | 22        | 395     | 240     | 255     | 92      | 130     | 20      | 10      | 4050             |
| 11249999 | 24        | 430     | 275     | 280     | 105     | 145     | 25      | 10      | 4950             |
| 11269999 | 26        | 450     | 295     | 285     | 120     | 155     | 30      | 10      | 5400             |

Tolerance: Forged parts ± 5%

| Art. No. | A<br>inch | B<br>inch | C<br>inch | D<br>inch | E<br>inch | F<br>inch | G<br>inch | Packing | Weight<br>lbs/100 |
|----------|-----------|-----------|-----------|-----------|-----------|-----------|-----------|---------|-------------------|
| 11040999 | 4         | 2 15/16   | 1 31/32   | 1 31/32   | 11/16     | 7/8       | 1/4       | 10      | 88                |
| 11045999 | 4 ½       | 3 11/32   | 1 31/32   | 2 3/32    | 3/4       | 1         | 1/4       | 10      | 110               |
| 11050999 | 5         | 3 15/16   | 2 3/8     | 2 3/8     | 13/16     | 1 1/8     | 5/16      | 10      | 176               |
| 11055999 | 5 ½       | 4 5/16    | 2 3/8     | 2 9/16    | 29/32     | 1 5/16    | 5/16      | 10      | 198               |
| 11069999 | 6         | 4 17/32   | 2 3/4     | 2 3/4     | 1         | 1 11/32   | 5/16      | 10      | 220               |
| 11079999 | 7         | 5 5/16    | 2 15/16   | 3 3/32    | 1 1/16    | 1 1/2     | 3/8       | 10      | 375               |
| 11089999 | 8         | 6 3/32    | 3 3/32    | 3 15/16   | 1 1/16    | 1 3/4     | 3/8       | 10      | 551               |
| 11099999 | 9         | 6 7/8     | 4 1/16    | 4 17/32   | 1 1/2     | 1 15/16   | 3/8       | 10      | 882               |
| 11109999 | 10        | 7 15/32   | 4 23/32   | 4 23/32   | 1 5/8     | 2 1/16    | 19/32     | 10      | 992               |
| 11119999 | 11        | 8 1/4     | 4 23/32   | 5 1/8     | 1 13/16   | 2 3/8     | 19/32     | 10      | 1543              |
| 11129999 | 12        | 9 21/32   | 5 1/2     | 5 23/32   | 2 1/16    | 2 9/16    | 19/32     | 10      | 1830              |
| 11149999 | 14        | 10 1/4    | 6 3/32    | 6 3/32    | 2 3/8     | 2 27/32   | 25/32     | 10      | 2756              |
| 11179999 | 17        | 12 3/16   | 7 7/8     | 7 15/32   | 2 3/4     | 3 5/16    | 25/32     | 10      | 3968              |
| 11199999 | 19        | 13 25/32  | 9 1/4     | 9 1/16    | 3 3/16    | 4 11/16   | 25/32     | 10      | 6724              |
| 11229999 | 22        | 15 9/16   | 9 7/16    | 10 1/32   | 3 3/8     | 5 1/8     | 25/32     | 10      | 8929              |
| 11249999 | 24        | 16 15/16  | 10 13/16  | 11 1/32   | 4 1/8     | 5 23/32   | 1         | 10      | 10913             |
| 11269999 | 26        | 17 23/32  | 11 1/8    | 11 1/32   | 4 29/32   | 6 3/32    | 1 1/16    | 10      | 11905             |

Tolerance: Forged parts ± 5%

19-05-2015

GENERAL  
SHACKLES  
THIMBLES  
SOCKETS  
LINKS  
SWIVELS  
HOOKS  
MOORING  
OTHERS