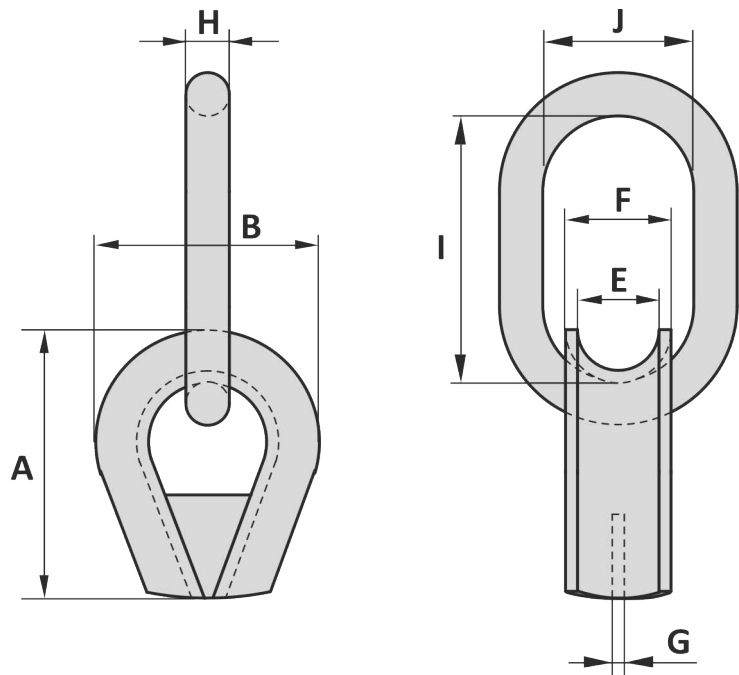


Material : Thimble: Mild steel
Link: Alloy steel
Finish : Painted
Temperature range : -20°C up to +200°C
Standard certification : Certificate of Conformity

Suitable for fibre rope
Special link or thimble on request



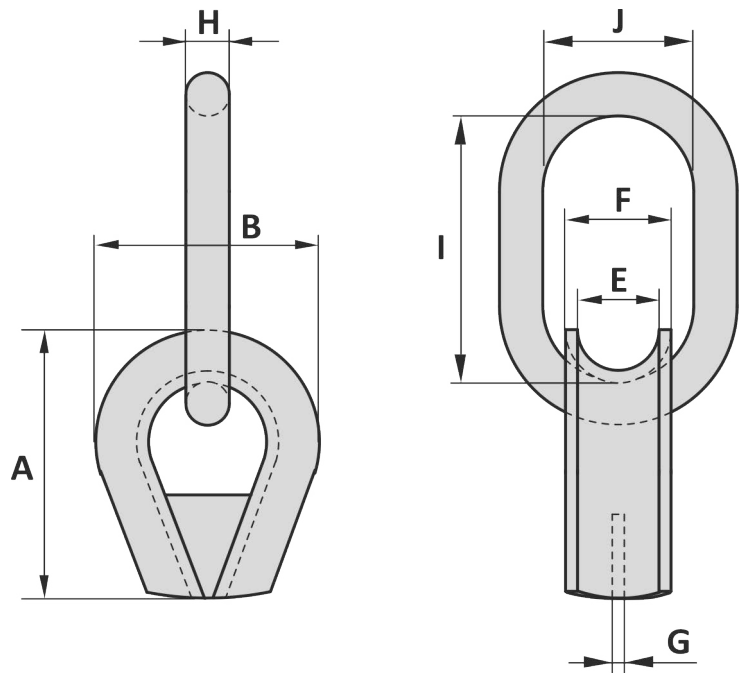
Art. No.	Rope size inch	MBL link ton	A mm	B mm	E mm	F mm	G mm	H mm	I mm	J mm	Weight kg
17090045	9 - 10 ½	104	385	300	100	130	20	45	340	180	35
17090051	9 - 10 ½	144	385	300	100	130	20	51	350	190	39
17090057	9 - 10 ½	188	385	300	100	130	20	57	400	200	46
17090063	9 - 10 ½	232	385	300	100	130	20	63	430	220	54
17125057	12 ½ - 13	188	470	320	115	155	20	57	400	200	56
17125063	12 ½ - 13	232	470	320	115	155	20	63	430	220	64
17125072	12 ½ - 13	336	470	320	115	155	20	72	460	250	77
17125080	12 ½ - 13	420	470	320	115	155	20	80	450	250	88
17140063	14 - 15	232	560	390	135	175	30	63	430	220	78
17140072	14 - 15	336	560	390	135	175	30	72	460	250	91
17140080	14 - 15	420	560	390	135	175	30	80	450	250	102
17160072	16 - 18	336	560	390	155	195	30	72	460	250	93
17160080	16 - 18	420	560	390	155	195	30	80	450	250	104
17160090	16 - 18	524	560	390	155	195	30	90	460	300	125
17190080	19 - 20	420	600	450	180	220	30	80	450	250	116
17190090	19 - 20	524	600	450	180	220	30	90	460	300	137
17190100	19 - 20	628	600	450	180	220	30	100	500	300	161
17210090	20 - 21	524	620	480	205	245	30	90	460	300	148
17210100	20 - 21	628	620	480	205	245	30	100	500	300	172
17210115	20 - 21	1000	620	480	205	245	30	115	600	400	234

Tolerance: ± 5%

28-11-2017

Material : Thimble: Mild steel
Link: Alloy steel
Finish : Painted
Temperature range : -4°F up to +392°F
Standard certification : Certificate of Conformity

Suitable for fibre rope
Special link or thimble on request



Art. No.	Rope size inch	MBL link ton	A inch	B inch	E inch	F inch	G inch	H inch	J inch	I inch	Weight lbs
17090045	9 - 10 1/2	104	15 5/32	11 13/16	3 15/16	5 7/8	25/32	1 25/32	13 3/8	7 3/32	77
17090051	9 - 10 1/2	144	15 5/32	11 13/16	3 15/16	5 7/8	25/32	2	13 25/32	7 15/32	86
17090057	9 - 10 1/2	188	15 5/32	11 13/16	3 15/16	5 7/8	25/32	2 1/4	15 3/4	7 7/8	101
17090063	9 - 10 1/2	232	15 5/32	11 13/16	3 15/16	5 7/8	25/32	2 15/32	16 15/16	8 21/32	119
17125057	12 1/2 - 13	188	18 1/2	12 19/32	4 17/32	6 3/32	25/32	2 1/4	15 3/4	7 7/8	123
17125063	12 1/2 - 13	232	18 1/2	12 19/32	4 17/32	6 3/32	25/32	2 15/32	16 15/16	8 21/32	141
17125072	12 1/2 - 13	336	18 1/2	12 19/32	4 17/32	6 3/32	25/32	2 27/32	18 1/8	9 27/32	170
17125080	12 1/2 - 13	420	18 1/2	12 19/32	4 17/32	6 3/32	25/32	3 3/32	17 23/32	9 27/32	194
17140063	14 - 15	232	22 1/16	15 11/32	5 5/16	6 7/8	1 3/16	2 15/32	16 15/16	8 21/32	172
17140072	14 - 15	336	22 1/16	15 11/32	5 5/16	6 7/8	1 3/16	2 27/32	18 1/8	9 27/32	201
17140080	14 - 15	420	22 1/16	15 11/32	5 5/16	6 7/8	1 3/16	3 3/32	17 23/32	9 27/32	225
17160072	16 - 18	336	22 1/16	15 11/32	6 3/32	7 11/16	1 3/16	2 27/32	18 1/8	9 27/32	205
17160080	16 - 18	420	22 1/16	15 11/32	6 3/32	7 11/16	1 3/16	3 3/32	17 23/32	9 27/32	229
17160090	16 - 18	524	22 1/16	15 11/32	6 3/32	7 11/16	1 3/16	2 27/32	18 1/8	11 13/16	276
17190080	19 - 20	420	23 3/8	17 23/32	7 3/32	8 21/32	1 3/16	3 5/32	17 23/32	9 27/32	256
17190090	19 - 20	524	23 3/8	17 23/32	7 3/32	8 21/32	1 3/16	3 9/16	18 1/8	11 13/16	302
17190100	19 - 20	628	23 3/8	17 23/32	7 3/32	8 21/32	1 3/16	3 5/32	19 11/16	11 13/16	355
17210090	20 - 21	524	24 13/32	18 29/32	8 1/16	9 21/32	1 3/16	3 9/16	18 1/8	11 13/16	326
17210100	20 - 21	628	24 13/32	18 29/32	8 1/16	9 21/32	1 3/16	3 11/16	19 11/16	11 13/16	379
17210115	20 - 21	1000	24 13/32	18 29/32	8 1/16	9 21/32	1 3/16	4 17/32	23 5/8	15 3/4	516

Tolerance: ± 5%

28-11-2017