

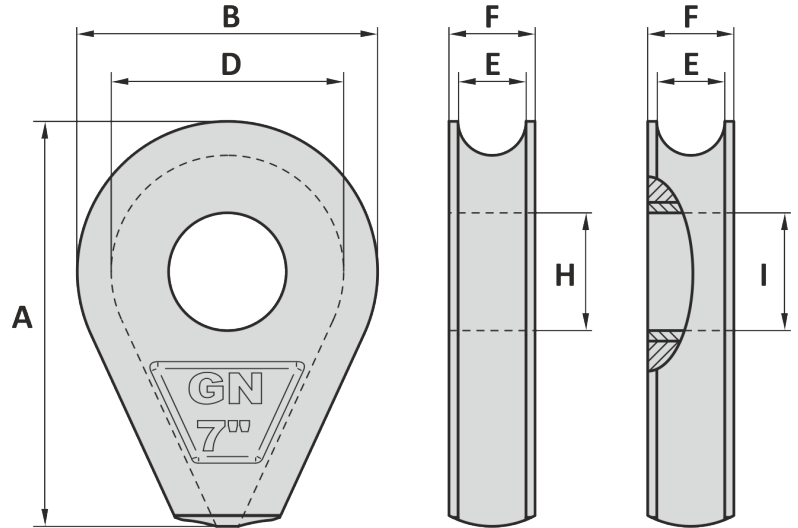
Material : Cast steel  
 Finish : Self colored  
 Temperature range : -20°C up to +200°C  
 Standard certification : Certificate of Conformity

Suitable for wire rope

Special holes for fittings or holes with (bronze) bushes on request

Maximum hole diameter for special hole is H max

Maximum inside diameter for (bronze) bushes is I max



For the correct article number fill in the hole diameter in mm on the grey and underscored numbers

Art. No.	Size inch	Rope size mm	A mm	B mm	D mm	E mm	F mm	H mm	H max mm	I max mm	Weight kg
16020000	2	7 - 8	66	40	31	9	15	14	20	10	0.16
16027500	2 ½	9 - 10	82	50	38	11	18	18	25	15	0.29
16030000	3	11 - 12	98	60	45	13	20	21	30	20	0.46
16035000	3 ½	13 - 15	114	70	53	16	24	25	35	25	0.72
16040 <u>400</u>	4	16 - 18	110	75	58	19	26	30 / 40	45	35	0.79
16050 <u>450</u>	5	19 - 22	130	92	65	23	30	30 / 40 / 45	50	40	1.3
16060 <u>550</u>	6	23 - 25	150	110	82	26	33	30 / 40 / 45 / 55	60	50	2.1
16070 <u>600</u>	7	26 - 30	180	127	96	32	40	30 / 40 / 52 / 60	70	60	3.6
16080 <u>700</u>	8	31 - 34	200	140	100	35	43	30 / 42 / 55 / 70	75	65	4.4
16090 <u>100</u>	9	35 - 38	225	160	122	39	47	50 / 70 / 90 / 100	100	80	6.2
16100 <u>100</u>	10	39 - 42	250	170	127	43	57	50 / 70 / 100	105	85	9.1
16120 <u>105</u>	12	43 - 49	305	210	160	54	69	60 / 80 / 105	120	100	17
16140 <u>110</u>	14	50 - 57	355	240	181	61	80	75 / 110	140	120	26
16170 <u>122</u>	17	58 - 65	431	290	230	68	92	85 / 122	160	140	46
16230 <u>130</u>	24	66 - 76	597	387	310	88	114	130	200	180	101

Tolerance: ± 5%

Art. No.	Size inch	Rope size inch	A inch	B inch	D inch	E inch	F inch	H inch	H max inch	I max inch	Weight lbs
16020000	2	¼	2 19/32	1 9/16	1 7/32	1 1/32	1 9/32	9/16	2 5/32	3/8	0.35
16027500	2 ½	3/8	3 7/32	1 3 1/2	1 1/2	7/16	2 3/32	2 3/32	1	1 9/32	0.64
16030000	3	½	3 7/8	2 3/8	1 2 5/32	½	2 5/32	1 3/16	1 3/16	2 5/32	1.0
16035000	3 ½	5/8	4 ½	2 ¾	2 3/32	5/8	1 5/16	1	1 3/8	1	1.6
16040 <u>400</u>	4	¾	4 5/16	2 1 5/16	2 9/32	¾	1 1/32	1 3/16 / 1 9/16	1 2 5/32	1 3/8	1.7
16050 <u>450</u>	5	7/8	5 1/8	3 3/8	2 9/16	2 9/32	1 3/16	1 3/16 / 1 9/16 / 1 2 5/32	1 3 1/32	1 9/16	2.9
16060 <u>550</u>	6	1	5 2 9/32	4 5/16	3 7/32	1 1/32	1 5/16	1 1/16 / 1 9/16 / 1 2 5/32 / 2 2 5/32	2 3/8	1 3 1/32	4.6
16070 <u>600</u>	7	1 1/8 - 1 1/4	7 3/32	5	3 2 5/32	1 1/4	1 9/16	1 1/16 / 1 9/16 / 2 1/16 / 2 3/8	2 3/4	2 3/8	7.9
16080 <u>700</u>	8	1 1/4 - 1 3/8	7 7/8	5 1/2	3 1 5/16	1 3/8	1 1 1/16	1 3/16 / 1 2 1/32 / 2 5/32 / 2 ¾	2 1 5/16	2 9/16	9.7
16090 <u>100</u>	9	1 3/8 - 1 1/2	8 7/8	6 5/16	4 1 1/16	1 1 7/32	1 2 1/32	1 3 1/32 / 2 ¾ / 3 9/16 / 3 1 5/16	3 1 5/16	3 5/32	14
16100 <u>100</u>	10	1 1/2 - 1 3/4	9 2 3/32	6 1 1/16	5	1 1 1/16	2 1/4	1 3 1/32 / 2 ¾ / 3 1 5/16	4 1/8	3 1 1/32	20
16120 <u>105</u>	12	1 ¾ - 2	12	8 1/4	6 5/16	2 1/8	2 2 3/32	2 3/8 / 3 5/32 / 4 1/8	4 2 3/32	3 1 5/16	37
16140 <u>110</u>	14	2 - 2 1/4	13 3 3/32	9 7/16	7 7/8	2 1 3/32	3 5/32	2 1 5/16 / 4 5/16	5 1/2	4 2 3/32	57
16170 <u>122</u>	17	2 1/4 - 2 1/2	16 3 3/32	11 1 3/32	9 1/16	2 1 1/16	3 3/8	3 1 1/32 / 4 1 1/16	6 5/16	5 1/2	101
16230 <u>130</u>	24	2 1/2 - 3	23 1/2	15 1/4	12 7/16	3 1 5/32	4 1/2	5 1/8	7 7/8	7 5/32	223

Tolerance: ± 5%

28-08-2019