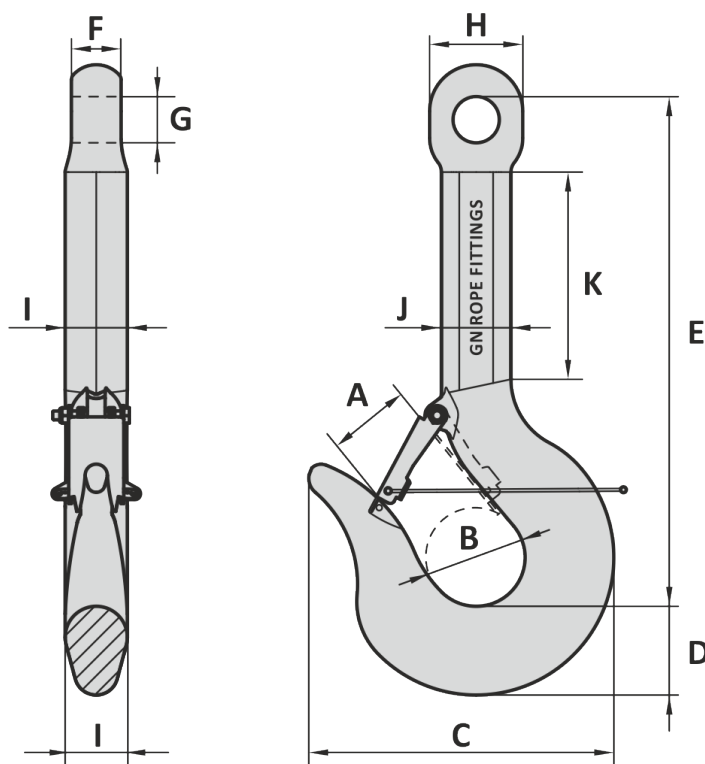
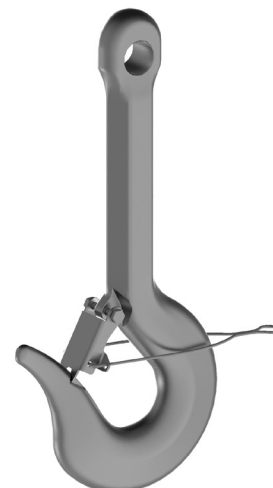


Material : Alloy steel
 Safety factor : 4 times
 Finish : Painted
 Temperature range : -40°C up to +200°C, Polar Rated
 Standard certification : Certificate of Conformity
 3.1 material certificate EN 10204

Spare latches available on request



Art. No.	WLL ton	MBL ton	A mm	B mm	C mm	D mm	E mm	F mm	G mm	H mm	I mm	J mm	K mm	Weight kg
53100006	6.5	26	40	55	182	50	400	30	28	60	45	50	225	8
53100008	8.5	34	54	68	208	55	450	30	31	75	50	56	228	11
53100012	12	48	63	80	254	70	480	41	40	78	55	61	227	16
53100017	17	68	71	90	297	85	514	48	44	88	60	67	226	22
53100025	25	100	92	110	344	100	574	56	52	105	70	78	233	34
53100035	35	140	108	130	395	120	628	58	60	124	85	96	230	56

Tolerance: Forged parts ± 5%, machined parts ± 1 mm

Art. No.	WLL ton	MBL ton	A inch	B inch	C inch	D inch	E inch	F inch	G inch	H inch	I inch	J inch	K inch	Weight lbs
53100006	6.5	26	1 5/16	2 1/2	7 1/2	1 3/32	16 3/4	1 3/16	1 1/32	2 3/8	1 25/32	1 31/32	8 7/8	18
53100008	8.5	34	2 1/8	2 11/16	8 3/16	2 5/32	18 29/32	1 3/16	1 1/32	2 15/16	1 31/32	2 3/16	8 33/32	24
53100012	12	48	2 15/32	3 3/32	10	2 3/4	20 1/16	1 5/8	1 1/16	3 1/16	2 5/32	2 13/32	8 15/16	35
53100017	17	68	2 13/16	3 3/16	11 11/16	3 1/32	21 23/32	1 7/8	1 3/4	3 15/32	2 3/8	2 5/8	8 29/32	49
53100025	25	100	3 3/8	4 5/16	13 3/16	3 1/16	24	2 3/16	2 1/16	4 1/8	2 3/4	3 1/16	9 3/16	75
53100035	35	140	4 1/4	5 1/8	15 1/16	4 29/32	26 3/8	2 5/32	2 3/8	4 7/8	3 11/32	3 25/32	9 7/16	123

Tolerance: Forged parts ± 5%, machined parts ± 1/32 inch

05-07-2022