

GENERAL

Material : Alloy steel
 Safety factor : 5 times
 Finish : Painted
 Temperature range : -20°C up to +200°C
 Standard certification : Certificate of Conformity
 3.1 material certificate EN 10204

SHACKLES

THIMBLES

SOCKETS

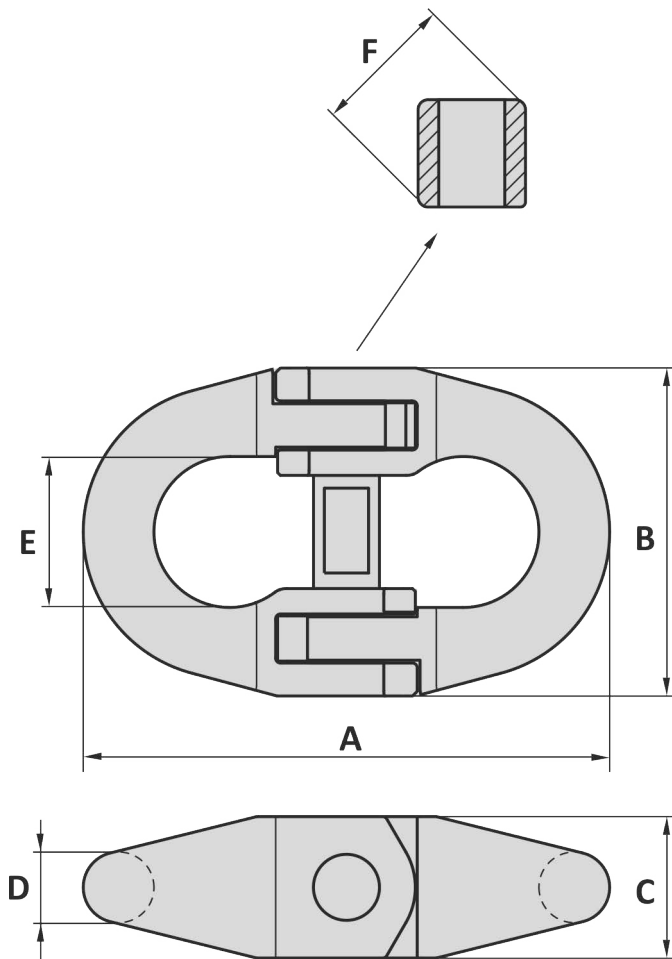
LINKS

SWIVELS

HOOKS

MOORING

OTHERS



Art. No.	WLL ton	PL ton	A mm	B mm	C mm	D mm	E mm	F mm	Weight kg
40000001	110	220	560	360	108	76	156	150	76

Tolerance: ± 5%

Art. No.	WLL ton	PL ton	A inch	B inch	C inch	D inch	E inch	F inch	Weight lbs
40000001	110	220	22 1/16	14 3/16	4 1/4	3	6 1/8	5 7/16	168

Tolerance: ± 5%

01-07-2011