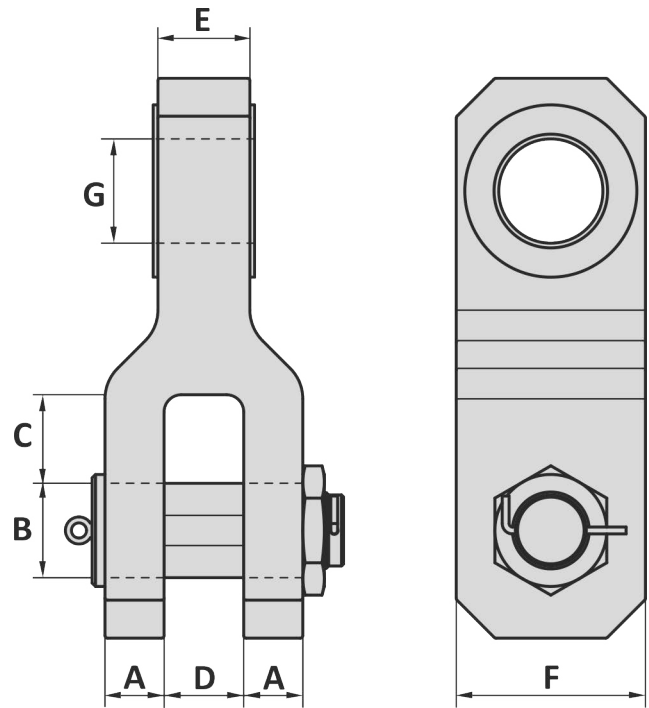
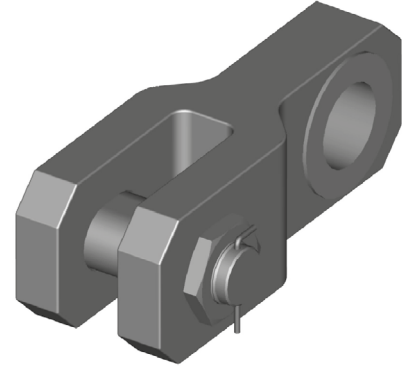


GENERAL
SHACKLES
THIMBLES
SOCKETS
LINKS
SWIVELS
HOOKS
MOORING
OTHERS

Material : Alloy steel, Grade R3/R3S/R4/R4S/R5
 Finish : Painted
 Temperature range : -40°C up to +200°C, Polar Rated
 Standard certification : Certificate of Conformity
 3.1 material certificate EN 10204

to suit: chain - chain
 chain - socket



Dimensions related to nominal chain diameter

Special sizes on request

Classification Design Approval

Also available with: ROV modification

Orkot bush

Pad eye

Tolerance: Machined part ± 1 mm

08-07-2015