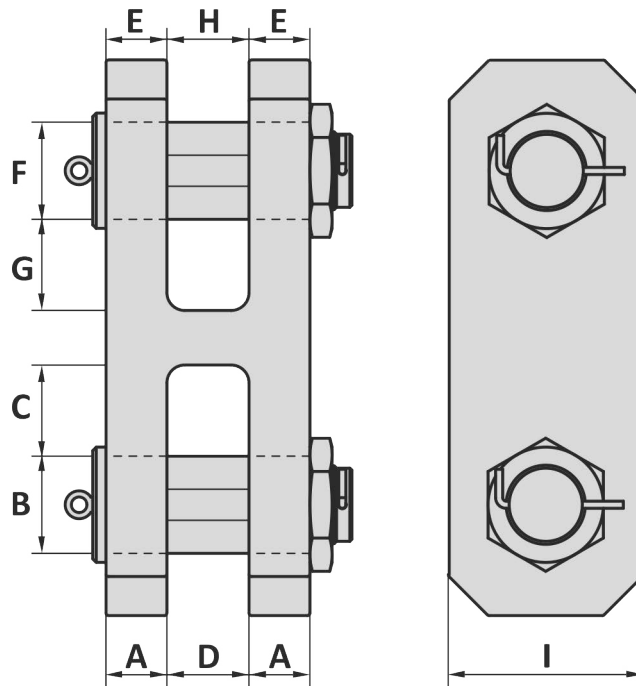
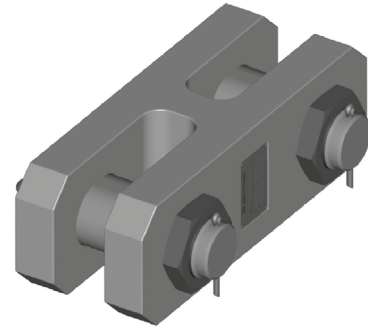


Material : Alloy steel, Grade R3/R3S/R4/R4S/R5  
 Finish : Painted  
 Temperature range : -40°C up to +200°C, Polar Rated  
 Standard certification : Certificate of Conformity  
 3.1 material certificate EN 10204

to suit: chain - chain  
 chain - socket  
 chain - triplate



### Dimensions related to nominal chain diameter

Special sizes on request

Classification Design Approval

Also available with: ROV modification

Orkot bush

Pad eye

Tolerance: Machined part  $\pm 1$  mm

08-07-2015