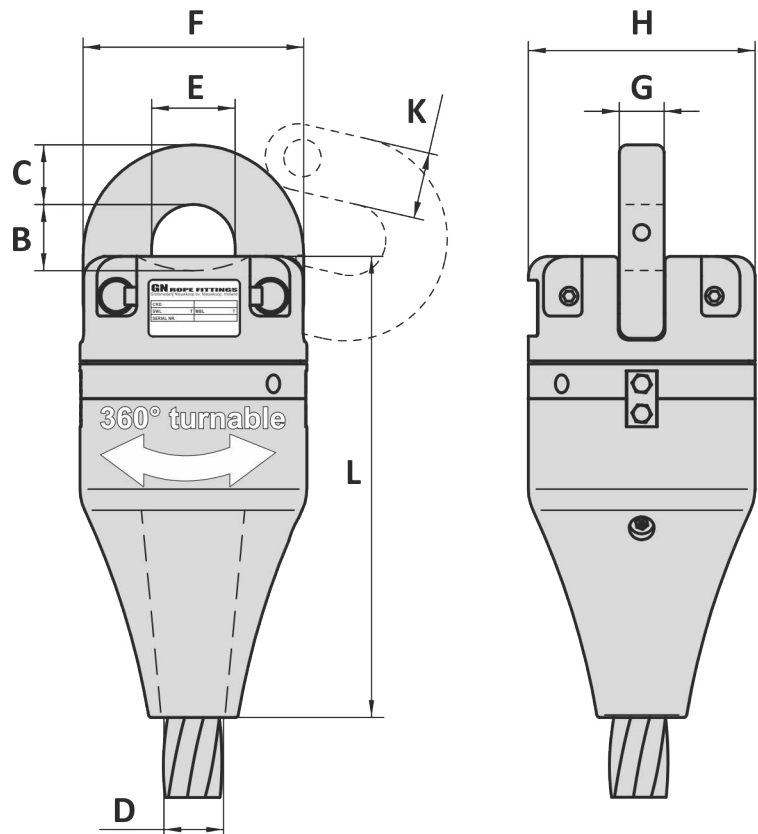


Material : Alloy steel
 Safety factor : 5 times
 Finish : Painted
 Temperature range : -20°C up to +200°C
 Standard certification : Certificate of Conformity

Suitable for use common studless links and end links
 Non-standard sizes or custom products available on request



Art. No.	Type No.	Wire dia inch	Suitable chain	WLL ton	MBL ton	B mm	C mm	D mm	E mm	F mm	G mm	H mm	K mm	L mm	Weight kg
47050250	722	2 - 2 ¼	2	50	250	70	60	59	84	222	45	238	69	463	102
47050600	728	3 - 3 ¼	3	120	600	120	100	86	112	340	70	378	114	678	386
47050800	730	3 ½ - 3 ¾	3 ½	160	800	152	120	99	140	400	80	420	130	770	561

Tolerance: ± 5%, machined parts ± 1 mm

Art. No.	Type No.	Wire dia inch	Suitable chain	WLL ton	MBL ton	B inch	C inch	D inch	E inch	F inch	G inch	H inch	K inch	L inch	Weight lbs
47050250	722	2 - 2 ¼	2	50	250	2 ¾	2 ⅜	2 ⅝	3 ⅙	8 ¾	1 25/32	9 ⅜	2 23/32	18 7/32	225
47050600	728	3 - 3 ¼	3	120	600	4 23/32	3 15/16	3 ⅜	4 13/32	13 ⅜	2 ¾	14 ⅞	4 ½	26 11/16	851
47050800	730	3 ½ - 3 ¾	3 ½	160	800	6	4 23/32	3 29/32	5 ½	15 ¾	3 5/32	16 17/32	5 ⅞	30 5/16	1237

Tolerance: ± 5%, machined parts ± 1/32 inch

04-12-2014

GENERAL
SHACKLES
THIMBLES
SOCKETS
LINKS
SWIVELS
HOOKS
MOORING
OTHERS