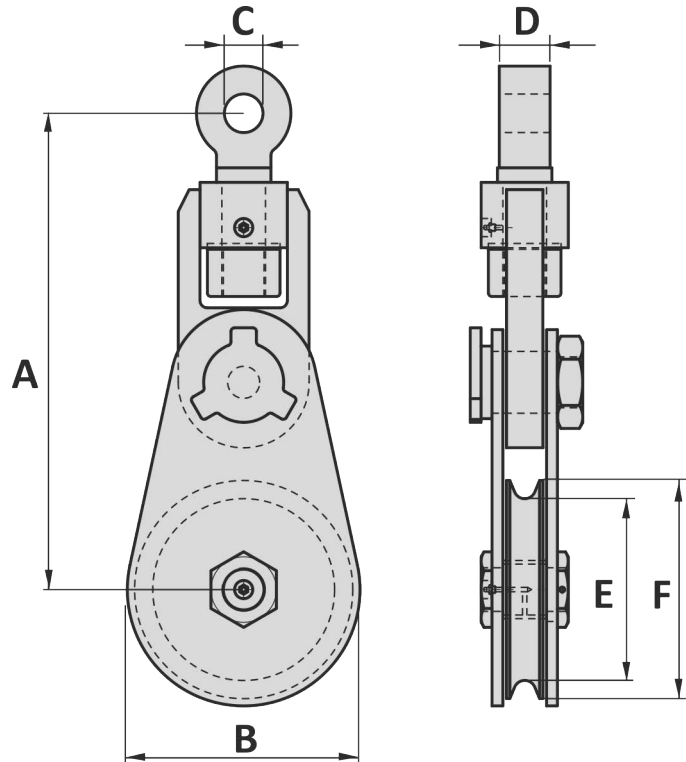


Material : Mild steel
 Safety factor : 4 times
 Finish : Painted
 Temperature range : -4°F up to +392°F
 Standard certification : Certificate of Conformity

Sheave with bronze bearing,
 Sheaves with roller bearing on requested

Groove size can be changed on request for bigger rope sizes



Art. No.	Type No.	WLL eye pull ton	WLL line pull ton	Rope size inch	Rope size mm	A inch	B inch	C inch	D inch	E inch	F inch	Weight lbs
Light Type												
20041903	H41903	3.25	1.62	3/8	8 - 10	7 13/32	3 7/32	25/32	1 1/2	2 3/16	3	8.8
20041905	H41905	4.75	2.37	1/2	11 - 14	9 27/32	4 13/16	15/16	1 3/16	3 3/8	4 1/2	20
20041906	H41906	8.5	4.25	3/4	18 - 20	14	6 3/8	1 3/16	1 9/16	4 13/32	6	42
20041908	H41908	8.5	4.25	3/4	18 - 20	15	8 1/2	1 3/16	1 9/16	6 13/32	8	53
20041910	H41910	9.5	4.75	3/4	18 - 20	16	10 5/8	1 1 1/2	1 3/4	8 7/16	10	66
20041912	H41912	9.5	4.75	3/4	18 - 20	17 1/16	12 19/32	1 1 1/2	1 3/4	10 7/16	12	86
20041914	H41914	12	6	3/4	18 - 20	20 5/16	15 19/32	1 7/16	1 7/8	12 13/32	14 3/8	110
20041916	H41916	13.5	6.75	7/8	22 - 25	25 3/8	17	1 2 1/2	2 1/8	14	16	205
20041918	H41918	17	8.5	1	22 - 25	27 5/32	19 5/32	1 3/4	2 1/4	16 1/16	18 1/2	247
Heavy Type												
20043106	H43106	17	8.5	1	22 - 25	19 9/32	6 5/16	1 3/4	2 1/4	4 5/16	5 29/32	108
20043108	H43108	25	12.5	1 1/8	25 - 28	23 1/16	8 2 1/2	2 3/32	2 3/4	5 29/32	7 7/8	172
20043110	H43110	25	12.5	1 1/4	28 - 32	24 7/8	10 5/8	2 5/32	2 3/4	7 15/32	9 29/32	203
20043112	H43112	25	12.5	1 1/4	28 - 32	26 1/16	12 19/32	2 5/32	2 3/4	9 7/16	11 13/16	247
20043114	H43114	25	12.5	1 1/4	28 - 32	27 1/4	14 3/4	2 5/32	2 3/4	11 13/32	13 25/32	280
20043118	H43118	35	17.5	1 1/2	32 - 38	32 7/8	18 1/2	2 3/8	3 5/32	14 3 1/2	17 23/32	470
20043120	H43120	35	17.5	1 1/2	32 - 38	34 1/16	20 15/32	2 3/8	3 5/32	16 15/16	19 1 1/16	536
20043124	H43124	35	17.5	1 1/2	32 - 38	36 13/32	24 5/8	2 3/8	3 5/32	21 1/16	23 13/16	679
20043224	H43224	55	27.5	1 5/8	38 - 42	40 15/16	24 5/8	2 7/8	3 15/16	20 15/32	23 13/16	990
20043230	H43230	85	42.5	1 7/8	44 - 48	47 23/32	30 23/32	3 1 1/2	4 23/32	24 13/16	29 17/32	2068
20043234	H43234	120	60	2	50 - 55	52 1/4	34 3/8	3 15/16	5 1/2	29 3/8	33 7/8	2908
20043236	H43236	150	75	2 1/2	60 - 70	56 3/16	36 3/8	4 7/16	6 5/16	29 15/16	35 13/16	3527
20043242	H43242	200	100	3	75 - 85	64 3/16	42 1/2	5 3/16	6 1 1/16	34 1/4	41 3/4	5038
20043246	H43246	250	125	3 1/2	88 - 93	70 9/32	46 27/32	5 29/32	7 15/32	38 3/16	46 1/16	6647

Tolerance: Forged parts ± 5%, machined parts ± 1/32 inch

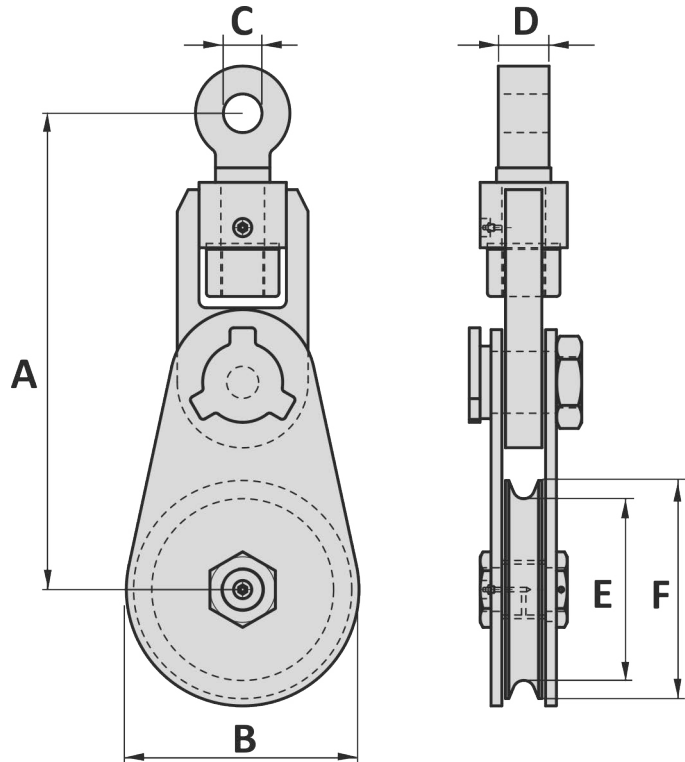
20-11-2014

GENERAL
SHACKLES
THIMBLES
SOCKETS
LINKS
SWIVELS
HOOKS
MOORING
OTHERS

Material : Mild steel
 Safety factor : 4 times
 Finish : Painted
 Temperature range : -20°C up to +200°C
 Standard certification : Certificate of Conformity

Sheave with bronze bearing,
 Sheaves with roller bearing on requested

Groove size can be changed on request for bigger rope sizes



Art. No.	Type No.	WLL eye pull ton	WLL line pull ton	Rope size inch	Rope size mm	A mm	B mm	C mm	D mm	E mm	F mm	Weight kg
Light Type												
20041903	H41903	3.25	1.62	3/8	8 - 10	188	82	20	26	56	76	4
20041905	H41905	4.75	2.37	1/2	11 - 14	250	122	24	30	86	114	9
20041906	H41906	8.5	4.25	3/4	18 - 20	356	162	30	40	112	152	19
20041908	H41908	8.5	4.25	3/4	18 - 20	381	216	30	40	163	203	24
20041910	H41910	9.5	4.75	3/4	18 - 20	406	270	34	44	214	254	30
20041912	H41912	9.5	4.75	3/4	18 - 20	446	320	34	44	265	305	39
20041914	H41914	12	6	3/4	18 - 20	516	396	37	48	315	365	50
20041916	H41916	13.5	6.75	7/8	22 - 25	645	430	42	54	356	406	93
20041918	H41918	17	8.5	1	22 - 25	690	490	44	57	408	458	112
Heavy Type												
20043106	H43106	17	8.5	1	22 - 25	490	160	44	57	110	150	49
20043108	H43108	25	12.5	1 1/8	25 - 28	602	220	53	70	150	200	78
20043110	H43110	25	12.5	1 1/4	28 - 32	632	270	53	70	190	250	92
20043112	H43112	25	12.5	1 1/4	28 - 32	662	320	53	70	240	300	112
20043114	H43114	25	12.5	1 1/4	28 - 32	692	370	53	70	290	350	127
20043118	H43118	35	17.5	1 1/2	32 - 38	835	470	60	80	380	450	213
20043120	H43120	35	17.5	1 1/2	32 - 38	865	520	60	80	430	500	243
20043124	H43124	35	17.5	1 1/2	32 - 38	925	625	60	80	535	605	308
20043224	H43224	55	27.5	1 5/8	38 - 42	1040	625	73	100	520	605	449
20043230	H43230	85	42.5	1 7/8	44 - 48	1212	780	85	120	630	750	938
20043234	H43234	120	60	2	50 - 55	1327	880	100	140	740	860	1319
20043236	H43236	150	75	2 1/2	60 - 70	1427	930	113	160	760	910	1600
20043242	H43242	200	100	3	75 - 85	1630	1080	135	170	870	1060	2285
20043246	H43246	250	125	3 1/2	88 - 93	1785	1190	145	190	970	1170	3015

Tolerance: Forged parts ± 5%, machined parts ± 1 mm

20-11-2014