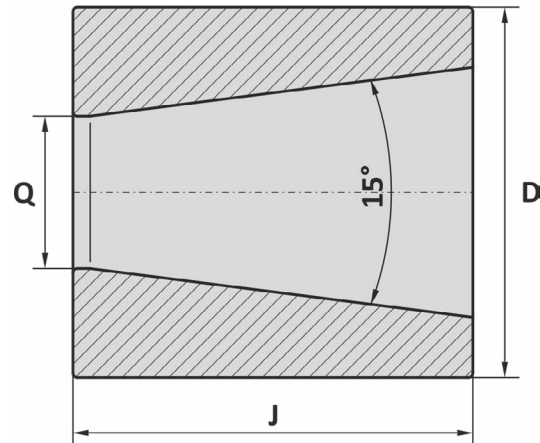


Material : Alloy steel
 Finish : Zinc painted

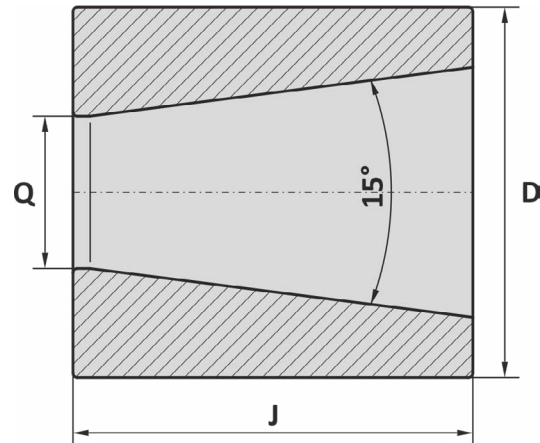


Art. No.	Rope inch	Strand dia min inch	Strand dia max inch	MBL ton	D inch	J inch	Q inch	Weight lbs
47800012	1 ⁵ / ₃₂	1 ⁵ / ₃₂	1/2	17	2 3/4	2 7/8	7/8	2.4
47800016	5/8	9/16	5/8	26	2 15/16	3 1/16	1	4.0
47800019	3/4	11/16	3/4	32	3 5/32	4 1/16	1 1/32	5.5
47800026	1 1/32	25/32	29/32	70	3 1/16	4 7/8	1 1/32	7.9
47800028	1 3/32	29/32	1 1/32	100	3 15/16	5 1/16	1 1/8	11
47800032	1 1/4	1 1/16	1 1/8	125	4 1/8	5 7/8	1 1/2	13
47800035	1 3/8	1 3/16	1 1/4	125	3 15/16	5 1/4	1 3/8	10
47800038	1 1/2	1 5/16	1 3/8	150	4 1/8	5 1/2	1 3/4	11
47800042	1 21/32	1 13/32	1 1/2	200	4 3/16	5 3/4	1 27/32	13
47800045	1 25/32	1 17/32	1 21/32	260	4 23/32	6	1 31/32	17
47800051	2	1 11/16	1 25/32	280	5 1/8	6 1/4	2 1/8	20
47800054	2 1/8	1 13/16	1 7/8	280	5 1/2	6 1/2	2 5/32	24
47800057	2 1/4	1 15/16	2	360	5 29/32	6 25/32	2 13/32	31
47800060	2 3/8	2 1/16	2 1/8	360	6 3/16	7	2 1/2	37
47800063	2 19/32	2 5/32	2 9/32	450	6 11/16	7 1/4	2 3/4	44
47800067	2 3/8	2 5/16	2 3/8	480	7 3/32	7 15/32	2 7/8	53
47800073	2 7/8	2 13/32	2 9/16	480	7 15/32	7 3/4	2 15/16	62
47800076	3	2 19/32	2 3/4	520	8 1/4	8 1/8	3 5/32	77
47800083	3 1/4	2 13/16	3	600	8 23/32	8 7/8	3 3/8	99
47800089	3 1/2	3 1/8	3 1/4	700	9 27/32	9 3/4	3 25/32	130
47800095	3 3/4	3 11/32	3 9/16	875	10 1/4	10 3/8	4	161
47800102	4	3 3/8	3 25/32	875	11 1/32	11 1/8	4 1/4	194
47800108	4 1/4	3 7/8	4	1100	11 13/16	11 3/4	4 17/32	234
47800121	4 3/4	4 3/32	4 3/8	1250	11 13/16	11 3/4	5 5/32	227
47800133	5 1/4	4 1/2	4 3/4	1350	12 19/32	12 1/2	5 3/4	265
47800146	5 3/4	4 27/32	5 1/8	1350	13 3/8	13 3/4	6 1/4	340
47800152	6	5 1/4	5 1/2	1350	13 25/32	15	6 1/2	390

Tolerance: Machined parts ± 1/32 inch

22-06-2018

Material : Alloy steel
 Finish : Zinc painted



Art. No.	Rope mm	Strand dia min mm	Strand dia max mm	MBL ton	D mm	J mm	Q mm	Weight kg
47800012	12	12	13	17	70	73	22	1.1
47800016	16	14	16	26	75	90	25	1.8
47800019	19	17	19	32	80	106	28	2.5
47800026	26	20	23	70	90	124	31	3.6
47800028	28	23	26	100	100	141	35	4.8
47800032	32	27	29	125	105	149	38	5.7
47800035	35	30	32	125	100	133	41	4.5
47800038	38	33	35	150	105	140	44	5.0
47800042	42	36	38	200	110	146	47	5.9
47800045	45	39	42	260	120	152	50	7.5
47800051	51	43	45	280	130	159	54	9.0
47800054	54	46	48	280	140	165	58	11
47800057	57	49	51	360	150	172	61	14
47800060	60	52	54	360	160	178	64	17
47800063	63	55	58	450	170	184	70	20
47800067	67	59	60	480	180	190	73	24
47800073	73	61	65	480	190	197	75	28
47800076	76	66	70	520	210	206	80	35
47800083	83	71	76	600	220	225	86	45
47800089	89	79	83	700	250	248	96	59
47800095	95	85	90	875	260	264	102	73
47800102	102	92	96	875	280	283	108	88
47800108	108	98	102	1100	300	298	115	106
47800121	121	104	111	1250	300	298	134	103
47800133	133	114	121	1350	320	318	146	120
47800146	146	123	130	1350	340	349	159	154
47800152	152	133	140	1350	350	381	165	177

Tolerance: Machined parts ± 1 mm

22-06-2018