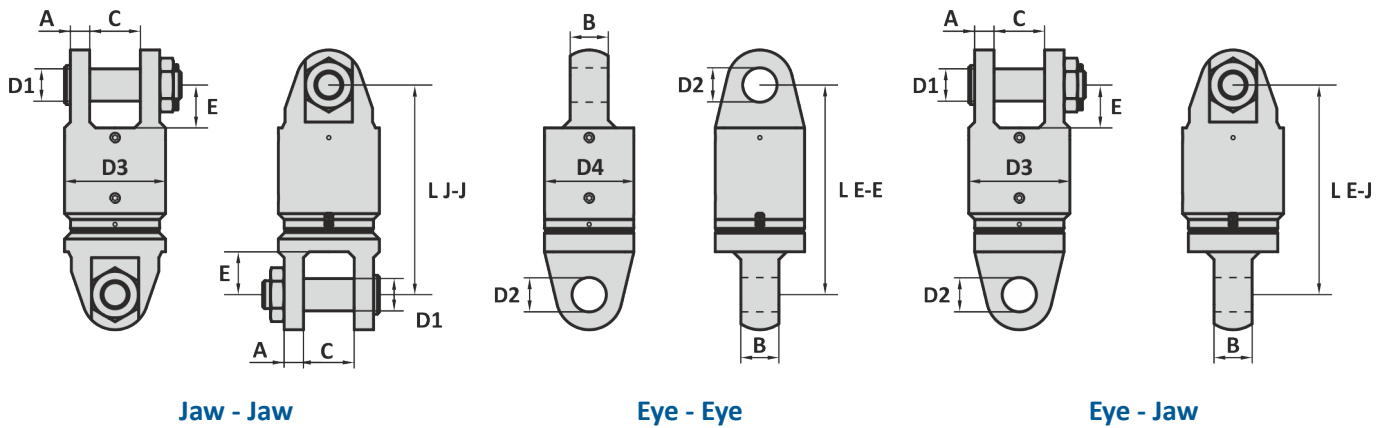
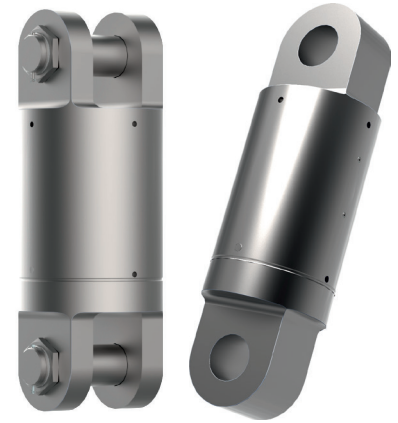


Material : Alloy steel
 Safety factor : 5 times
 Finish : Painted
 Temperature range : -40°F up to +392°F, Polar rated
 Standard certification : Certificate of Conformity
 3.1 material certificate EN 10204

Non-standard sizes or custom products available on request



Jaw - Jaw

Eye - Eye

Eye - Jaw

Art. No.	Art. No.	Art. No.	WLL	A	B	C	D1	D2	D3	D4	E	L	L	L	Weight	Weight	Weight
Jaw-Jaw	Eye-Eye	Eye-Jaw	ton	inch	inch	inch	inch	inch	inch	inch	inch	J-J	E-E	E-J	J-J	E-E	E-J
												inch	inch	inch	lbs	lbs	lbs
40110010	40115010	40119010	9.5	5/8	1 1/4	1 3/32	1 1/4	1 13/32	4 15/16	4 15/16	1 31/32	10 1/16	10 1/16	10 1/16	46	42	44
40110014	40115014	40119014	13.5	7/8	1 7/16	2 3/8	1 1/2	1 3/4	5 1/8	5 1/8	2 3/4	12 1/16	12 1/16	12 1/16	60	51	55
40110018	40115018	40119018	17	1	1 1/8	2 15/32	1 21/32	2 1/8	5 1/2	5 1/2	2 9/16	12 3/16	12 3/16	12 3/16	73	62	68
40110026	40115026	40119026	25	1 1/32	2 1/2	3 1/16	1 31/32	2 1/8	5 29/32	5 29/32	2 9/16	12 29/32	12 13/16	12 7/8	90	71	82
40110036	40115036	40119036	35	1 3/8	2 3/4	3 3/16	2 1/4	2 3/8	7 3/32	6 11/16	2 15/16	14 7/8	14 7/8	14 7/8	146	115	130
40110056	40115056	40119056	55	1 9/16	3 1/16	4 5/16	2 3/4	2 29/32	8 21/32	7 7/8	3 15/16	18 5/8	18 5/8	18 5/8	262	196	229
40110086	40115086	40119086	85	1 31/32	3 3/8	5 1/8	3 1/4	3 15/32	10 1/4	9 1/16	4 5/16	21 3/16	21 3/16	21 3/16	430	309	370
40110121	40115121	40119121	120	2 3/8	4 23/32	5 29/32	3 3/4	3 15/16	12 19/32	11 1/32	5 5/16	25 29/32	25 29/32	25 29/32	765	549	657
40110151	40115151	40119151	150	2 9/16	4 31/32	7 3/32	4 1/4	4 1/2	14 3/16	11 13/16	5 29/32	28 21/32	28 21/32	28 21/32	1038	708	873
40110201	40115201	40119201	200	2 3/4	5 29/32	6 5/16	4 15/16	5 1/8	14 3/16	13 25/32	6 11/16	34 3/16	34 3/16	34 3/16	1720	1206	1464
40110251	40115251	40119251	250	3 5/32	6 7/16	7 3/32	5 1/2	5 23/32	17 23/32	15 3/4	7 7/8	41 11/32	40 15/16	41 1/8	2469	1819	2145
40110301	40115301	40119301	300	3 9/16	6 7/8	7 11/16	5 29/32	6 3/32	19 9/32	18 29/32	8 15/32	46 21/32	46 1/4	46 7/16	3263	2866	3064
40110400	40115400	40119400	400	3 15/16	8 1/4	9 1/16	6 7/8	7 3/32	22 7/16	20 15/32	9 7/16	51 31/32	51 1/16	51 25/32	4883	3858	4372
40110500	40115500	40119500	500	4 23/32	9 1/4	10 1/32	7 3/32	7 15/32	24 13/16	20 15/32	9 27/32	53 3/4	53 13/32	53 3/16	6206	4145	5176
40110600	40115600	40119600	600	5 1/8	10 7/16	11 1/32	8 1/16	8 1/4	27 3/32	23 3/8	10 7/16	60 5/8	60 1/4	60 7/16	8642	6261	7452
40110700	40115700	40119700	700	5 1/2	11 13/32	12 3/16	8 9/16	8 3/4	29 1/8	23 5/8	11 1/32	62 19/32	62 3/16	62 13/32	10318	6735	8527
40110800	40115800	40119800	800	5 1/2	11 13/32	12 3/16	9 1/16	9 1/4	30 3/16	25 19/32	12	65 3/4	65 13/32	65 5/16	11640	8113	9877
40110900	40115900	40119900	900	5 29/32	12 3/16	13	9 27/32	10 1/32	32 3/32	27 15/16	12 19/32	70 15/32	70 1/16	70 3/32	14132	10196	12165
40111000	40115000	40119000	1000	6 1/2	13	13 25/32	10 5/8	10 13/16	34 21/32	27 15/16	13 3/16	72 3/16	72 1/16	72 1/4	16843	10714	13779
40111250	40115252	40119252	1250	6 3/8	13 25/32	14 3/16	11 13/16	12	38 3/16	31 3/32	14 3/4	78 15/16	78 3/16	78 3/4	22190	14308	18250
40111550	40115550	40119550	1550	6 7/8	13 25/32	14 3/16	12 19/32	12 13/16	39 3/8	33 1/16	16 3/4	83 21/32	83 1/4	83 15/32	26191	17185	21689
40111750	40115750	40119750	1750	8 1/16	16 1/8	16 15/16	14 3/16	14 3/8	44 7/8	35 1/32	17 1/16	88	87 19/32	87 13/16	34238	20756	27498

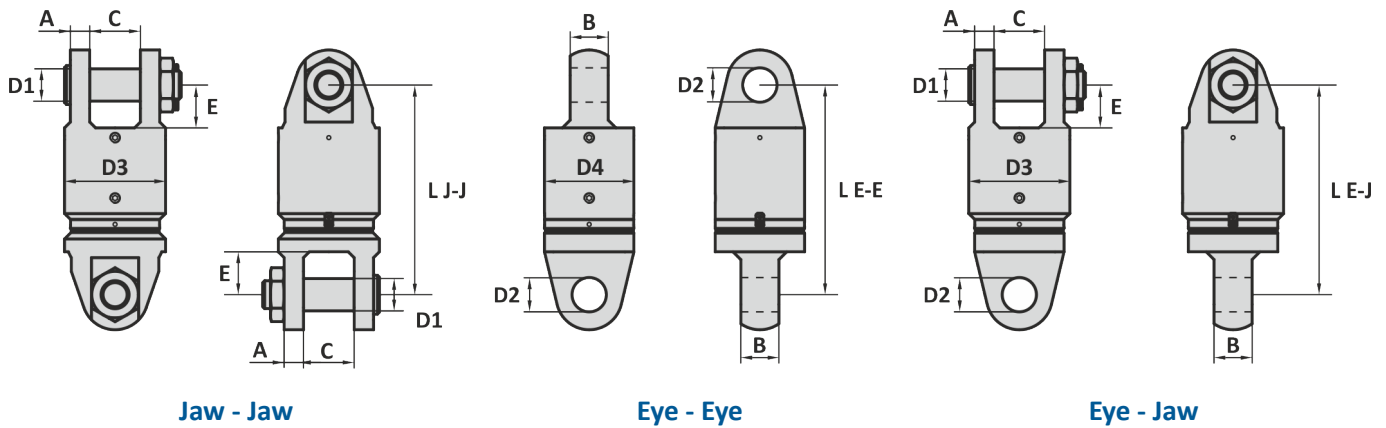
Tolerance: ± 5%, machined parts ± 1/32 inch

22-06-2018

GENERAL SHACKLES THIMBLES SOCKETS LINKS SWIVELS HOOKS MOORING OTHERS

Material : Alloy steel
 Safety factor : 5 times
 Finish : Painted
 Temperature range : -40°C up to +200°C, Polar rated
 Standard certification : Certificate of Conformity
 3.1 material certificate EN 10204

Non-standard sizes or custom products available on request



Art. No. Jaw-Jaw	Art. No. Eye-Eye	Art. No. Eye-Jaw	WLL ton	A mm	B mm	C mm	D1 mm	D2 mm	D3 mm	D4 mm	E mm	L mm J-J	L mm E-E	L mm E-J	Weight kg J-J	Weight kg E-E	Weight kg E-J
40110010	40115010	40119010	9.5	16	32	50	32	36	125	125	50	268	268	268	21	19	20
40110014	40115014	40119014	13.5	22	42	60	38	44	130	130	70	313	313	313	27	23	25
40110018	40115018	40119018	17	25	48	63	42	52	140	140	65	313	313	313	33	28	31
40110026	40115026	40119026	25	26	55	78	50	54	150	150	65	328	325	327	41	32	37
40110036	40115036	40119036	35	35	70	90	57	60	180	170	75	378	378	378	66	52	59
40110056	40115056	40119056	55	40	78	110	70	74	220	200	100	473	473	473	119	89	104
40110086	40115086	40119086	85	50	98	130	83	88	260	230	110	538	538	538	195	140	168
40110121	40115121	40119121	120	60	120	150	95	100	320	280	135	658	658	658	347	249	298
40110151	40115151	40119151	150	65	126	180	108	114	360	300	150	728	728	728	471	321	396
40110201	40115201	40119201	200	70	150	160	125	130	360	350	170	875	865	870	780	547	664
40110251	40115251	40119251	250	80	160	180	140	145	450	400	200	1050	1040	1045	1120	825	973
40110301	40115301	40119301	300	90	175	195	150	155	490	480	215	1185	1175	1180	1480	1300	1390
40110400	40115400	40119400	400	100	210	230	175	180	570	520	240	1320	1310	1315	2215	1750	1983
40110500	40115500	40119500	500	120	235	255	185	190	630	520	250	1365	1355	1360	2815	1880	2348
40110600	40115600	40119600	600	130	265	285	205	210	690	600	265	1540	1530	1535	3920	2840	3380
40110700	40115700	40119700	700	140	290	310	217	222	740	600	280	1590	1580	1585	4680	3055	3868
40110800	40115800	40119800	800	140	290	310	230	235	770	650	305	1670	1660	1665	5280	3680	4480
40110900	40115900	40119900	900	150	310	330	250	255	820	710	320	1790	1780	1785	6410	4625	5518
40111000	40115000	40119000	1000	165	330	350	270	275	880	710	335	1840	1830	1835	7640	4860	6250
40111250	40115252	40119252	1250	175	350	370	300	305	970	790	375	2005	1995	2000	10065	6490	8278
40111550	40115550	40119550	1550	175	350	370	320	325	1000	840	425	2125	2115	2120	11880	7795	9838
40111750	40115750	40119750	1750	205	410	430	360	365	1140	890	440	2235	2225	2230	15530	9415	12473

Tolerance: ± 5%, machined parts ± 1 mm

22-06-2018