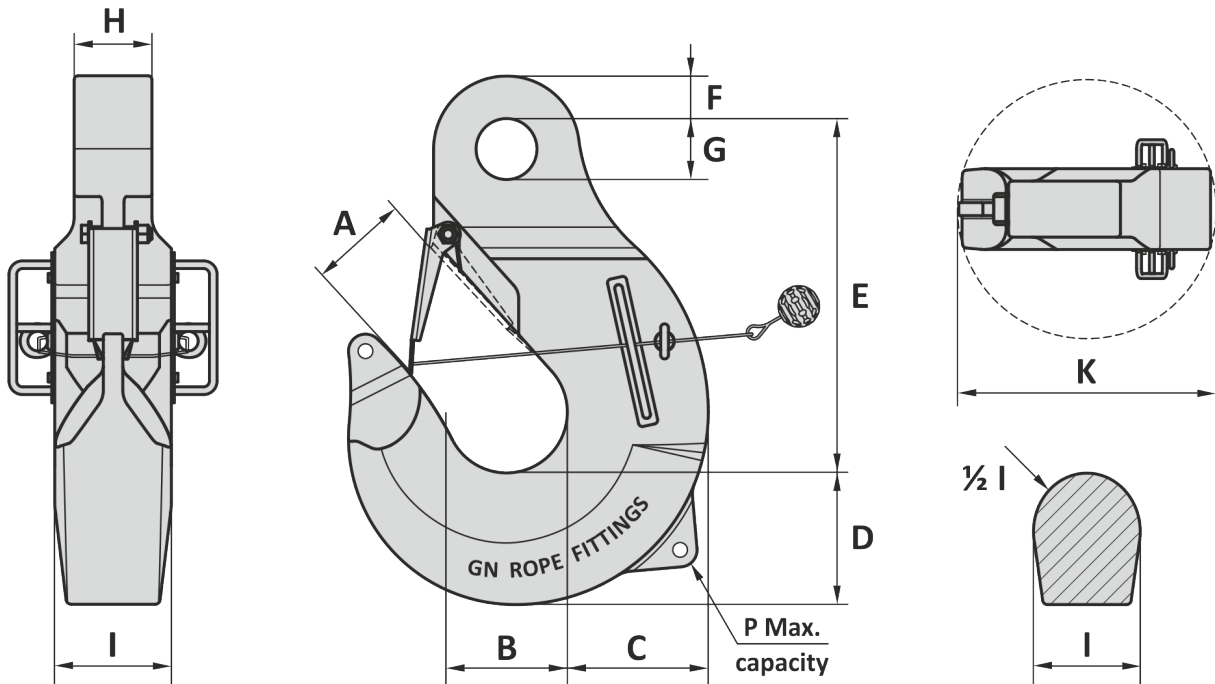
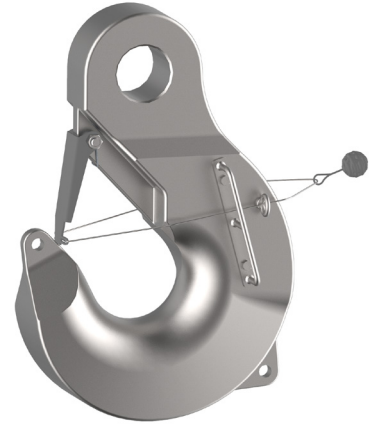


GENERAL  
SHACKLES  
THIMBLES  
SOCKETS  
LINKS  
SWIVELS  
HOOKS  
MOORING  
OTHERS

Material : Alloy steel  
 Safety factor : 4 times  
 Finish : Painted  
 Temperature range : -40°F up to +392°F, Polar Rated  
 Standard certification : Certificate of Conformity  
 3.1 material certificated EN 10204

Non-standard sizes or custom products available on request



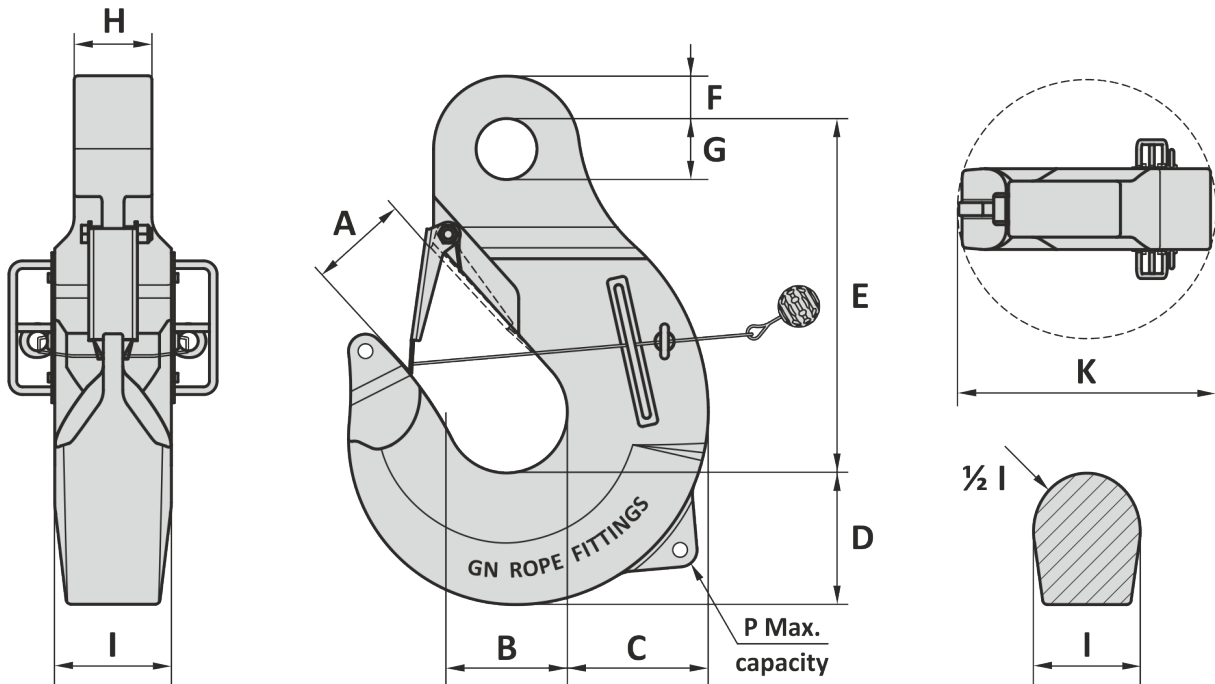
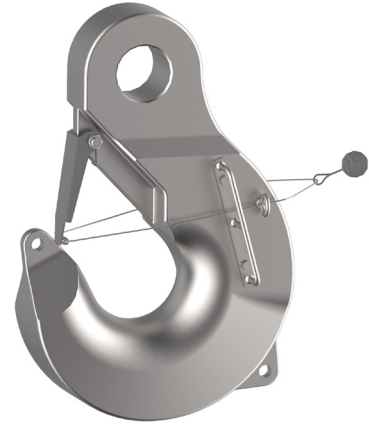
Art. No.	WLL ton	A inch	B inch	C inch	D inch	E inch	F inch	G inch	H inch	I inch	K inch	P ton	Weight lbs
73000035	35	3	3 1/16	4 1/8	3 3/4	12	1 3/8	2 3/8	1 3/16	2 3/4	11 1/2	1.5	68
73000040	42.5	3 3/16	4 1/16	4 23/32	4 5/16	13 11/32	1 3/8	2 1/16	2 1/2	3 5/32	12 23/32	1.5	97
73000050	55	3 3/8	4 23/32	5 1/2	4 15/16	15 1/16	1 15/16	2 3/8	2 3/8	3 3/16	14 13/32	2	146
73000063	63	3 7/8	5 1/8	6 5/16	5 1/2	16 21/32	2 3/32	3 11/32	2 3/4	3 15/16	16	3.25	198
73000080	85	4 5/16	5 1/2	7 3/32	6 5/16	18 3/16	2 3/8	3 3/16	3 3/32	4 23/32	17 27/32	4.75	293
73000100	100	5 1/8	6 1/16	7 15/32	6 1/2	20 3/8	2 9/16	4 5/16	3 15/16	5 1/2	19 1/2	4.75	412
73000150	150	5 23/32	7 3/32	9 1/16	7 7/8	23 3/32	2 3/4	4 23/32	4 23/32	7 3/32	23 3/32	6.5	692
73000200	200	6 21/32	8 1/4	10 1/4	9 1/16	26 11/16	3 1/16	5 5/16	5 23/32	7 7/8	26 3/16	8.5	1030
73000250	250	8 3/16	9 27/32	11 13/32	10 1/4	29 17/32	3 9/16	5 29/32	6 11/16	9 1/16	29 1/4	9.5	1446
73000300	300	9 3/4	11 13/16	12 19/32	11 13/32	34 1/16	3 15/16	6 7/16	7 3/32	10 1/4	32 3/4	12	2017
73000400	400	10 7/16	12 19/32	13 25/32	12 19/32	35 15/16	4 1/8	7 3/32	7 7/8	11 13/16	35 25/32	17	2685
73000500	500	11 1/32	13 3/8	15 11/32	13 3/8	38 25/32	4 3/16	7 15/32	8 21/32	12 19/32	38 21/32	17	3397
73000600	600	11 13/32	13 25/32	16 17/32	14 9/16	40 3/4	4 23/32	8 1/4	9 27/32	13 3/8	40 13/16	25	4151
73000700	700	11 31/32	14 3/16	17 23/32	15 11/32	41 3/4	4 15/16	8 23/32	11 1/32	14 31/32	43 3/16	25	5049
73000800	800	12 5/16	14 31/32	19 11/16	17 5/16	46 7/16	5 1/2	9 7/16	11 13/16	15 3/4	47 3/4	25	6601
73000900	900	12 19/32	15 3/4	20 15/32	18 3/8	49 5/8	5 29/32	10 1/4	12 19/32	16 17/32	50 15/32	35	7859
73001000	1000	13 3/16	16 17/32	22 1/16	18 29/32	52 3/4	6 5/16	11 1/32	13 3/8	17 5/16	52 15/16	35	9370
73001250	1250	13 15/16	17 23/32	23 5/8	20 7/8	55 23/32	7 3/32	12 3/16	14 3/16	18 29/32	57 3/32	42.5	12125
73001550	1550	14 13/16	18 29/32	26	23 3/32	59 1/4	8 1/16	13	14 3/16	21 1/4	61 21/32	42.5	15432

Tolerance: Machined parts ± 1/32 inch

16-10-2024

Material : Alloy steel  
 Safety factor : 4 times  
 Finish : Painted  
 Temperature range : -40°C up to +200°C, Polar Rated  
 Standard certification : Certificate of Conformity  
 3.1 material certificated EN 10204

Non-standard sizes or custom products available on request



Art. No.	WLL ton	A mm	B mm	C mm	D mm	E mm	F mm	G mm	H mm	I mm	K mm	P ton	Weight kg
73000035	35	76	100	105	95	305	35	60	50	70	292	1.5	31
73000040	42.5	84	110	120	110	339	41	68	55	80	323	1.5	44
73000050	55	92	120	140	125	392	49	73	60	90	366	2	66
73000063	63	98	130	160	140	423	53	85	70	100	406	3.25	90
73000080	85	110	140	180	160	465	60	90	80	120	453	4.75	133
73000100	100	130	160	190	165	530	65	110	100	140	495	4.75	187
73000150	150	145	180	230	200	590	70	120	120	180	588	6.5	314
73000200	200	169	210	260	230	678	78	135	145	200	665	8.5	467
73000250	250	208	250	290	260	750	90	150	170	230	743	9.5	656
73000300	300	248	300	320	290	865	100	160	180	260	832	12	915
73000400	400	265	320	350	320	910	105	180	200	300	909	17	1218
73000500	500	280	340	390	340	985	110	190	220	320	982	17	1541
73000600	600	290	350	420	370	1035	120	210	250	340	1037	25	1883
73000700	700	304	360	450	390	1060	125	220	280	380	1097	25	2290
73000800	800	313	380	500	440	1180	140	240	300	400	1213	25	2994
73000900	900	320	400	520	460	1260	150	260	320	420	1282	35	3565
73001000	1000	335	420	560	480	1340	160	280	340	440	1345	35	4250
73001250	1250	354	450	600	530	1415	185	310	360	480	1452	42.5	5500
73001550	1550	376	480	660	590	1505	205	330	360	540	1566	42.5	7000

Tolerance: Machined parts ± 1 mm

16-10-2024