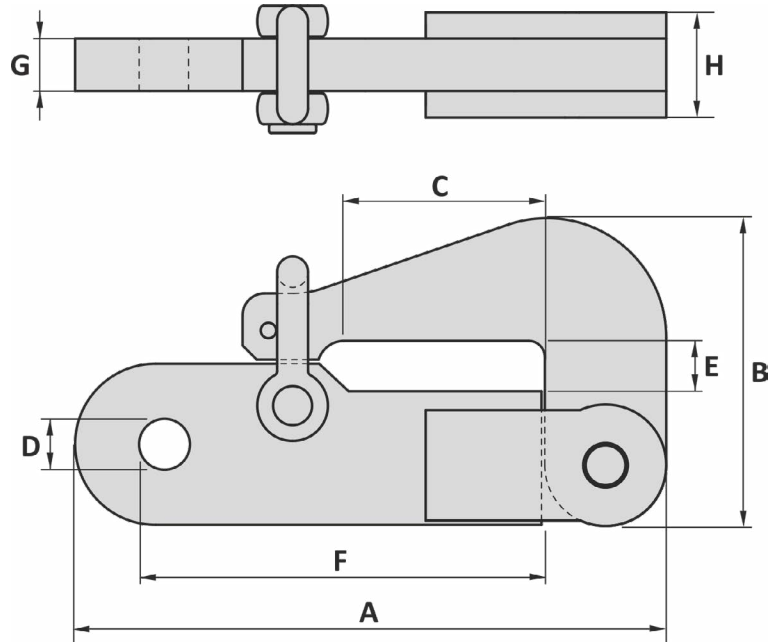
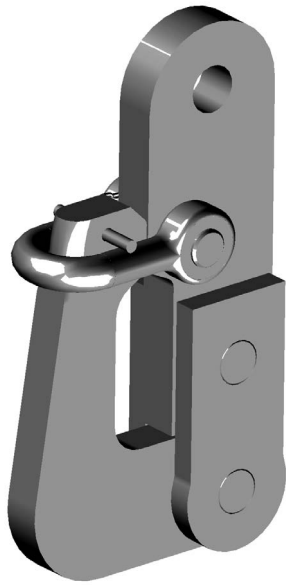


Material : High tensile steel  
 Safety factor : 5 times  
 Finish : Painted  
 Temperature range : -20°C up to +200°C  
 Standard certification : Certificate of Conformity

Non-standard sizes or custom products available on request



Art. No.	WLL ton	MBL ton	A mm	B mm	C mm	D mm	E mm	F mm	G mm	H mm	Weight kg
75000003	3.5	17.5	328	155	85	26	35	240	20	54	6.7
75000005	5	25	338	161	100	38	35	234	30	60	12
75000008	8	40	415	200	150	50	55	300	30	70	17
75000012	12.5	62.5	491	235	160	55	65	358	35	75	26
75000017	17	85	550	265	165	55	70	390	45	95	45
75000025	25	125	610	308	180	60	76	430	45	105	62
75000035	35	175	670	355	200	60	85	465	50	110	100
75000055	55	275	775	410	230	75	90	500	60	130	152
75000085	85	425	1020	490	310	103	110	704	100	200	352
75000120	120	600	1240	650	418	105	160	858	100	220	524
75000150	150	750	1308	710	482	115	180	919	100	240	616
75000200	200	1000	1477	790	550	130	200	1017	120	280	702

Tolerance: Forged parts ± 5%, machined parts ± 1 mm

Art. No.	WLL ton	MBL ton	A inch	B inch	C inch	D inch	E inch	F inch	G inch	H inch	Weight lbs
75000003	3.5	17.5	12 29/32	6 3/8	3 1/2	1 1/2	1 3/8	9 7/16	25/32	2 1/8	15
75000005	5	25	13 3/16	6 1/2	3 5/16	1 1/2	1 3/8	9 3/32	1 3/16	2 3/8	26
75000008	8	40	16 11/32	7 7/8	5 29/32	1 31/32	2 3/32	11 13/16	1 3/16	2 3/4	37
75000012	12.5	62.5	19 5/16	9 1/4	6 5/16	2 5/32	2 9/16	14 3/32	1 3/8	2 15/16	57
75000017	17	85	21 21/32	10 7/16	6 1/2	2 5/32	2 3/4	15 11/32	1 25/32	3 1/4	99
75000025	25	125	24	12 1/8	7 3/32	2 3/8	3	16 15/16	1 25/32	4 1/8	137
75000035	35	175	26 3/8	13 31/32	7 7/8	2 3/8	3 11/32	18 5/16	1 31/32	4 5/16	220
75000055	55	275	30 1/2	16 1/8	9 1/16	2 15/16	3 9/16	19 11/16	2 3/8	5 1/8	335
75000085	85	425	40 5/32	19 9/32	12 3/16	4 1/16	4 5/16	27 23/32	3 15/16	7 7/8	776
75000120	120	600	48 13/16	25 19/32	16 7/16	4 1/8	6 5/16	33 25/32	3 15/16	8 21/32	1155
75000150	150	750	51 1/2	27 15/16	18 31/32	4 7/32	7 3/32	36 3/16	3 15/16	9 7/16	1358
75000200	200	1000	58 3/32	31 3/32	21 21/32	5 1/8	7 7/8	40 1/32	4 23/32	11 1/32	1548

Tolerance: Forged parts ± 5%, machined parts ± 1/32 inch

14-06-2018

GENERAL  
SHACKLES  
THIMBLES  
SOCKETS  
LINKS  
SWIVELS  
HOOKS  
MOORING  
OTHERS