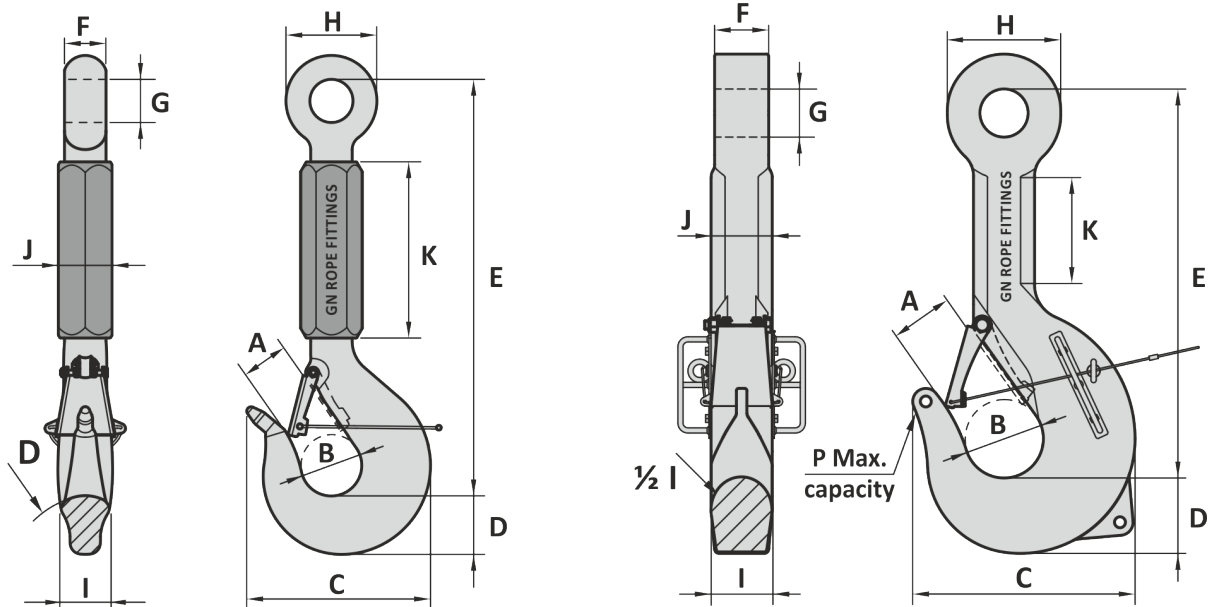
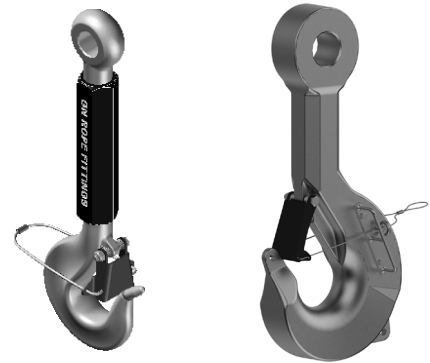


Material : Alloy steel
Safety factor : 4 times
Finish : Painted
Temperature range : -40°F up to +392°F, Polar Rated
Standard certification : Certificate of Conformity
 3.1 material certificate EN 10204

Spare latches available on request



Type for hook WLL 63 ton and WLL 85 ton

Type for hook WLL 100 ton ≤ WLL 400 ton

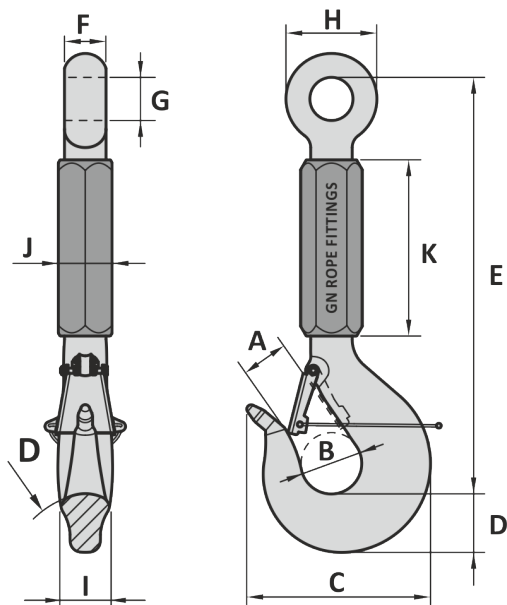
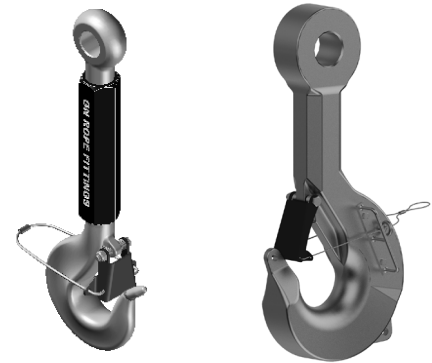
Art. No.	WLL ton	A inch	B inch	C inch	D inch	E inch	F inch	G inch	H inch	I inch	J inch	K inch	P ton	Weight lbs
53000063	63	3 19/32	4 15/16	14 13/16	4 21/32	37 13/32	3 11/32	3 3/8	7 3/2	3 3/4	4 5/16	14 3/16		194
53000080	85	4 3/2	5 1/2	16 7/16	5 3/16	35 5/32	3 15/16	3 3/8	7 7/8	4 3/16	4 23/32	11 13/32		245
53000100	100	5 1/2	6 7/8	18 19/32	5 29/32	32 23/32	4 5/16	3 15/16	8 21/32	4 23/32	4 23/32	9 7/16	4.75	392
53000125	125	5 23/32	7 3/32	20 1/32	6 11/16	35 1/32	4 7/8	4 5/16	10 1/4	5 1/2	5 1/2	9 7/16	4.75	549
53000160	160	6 3/16	7 15/32	24 3/16	7 15/32	37 1/2	5 7/16	5 5/16	11 13/16	6 5/16	5 29/32	9 27/32	6.5	798
53000200	200	6 15/16	8 13/16	27 3/32	9 1/16	39 3/32	5 13/16	5 5/16	13 25/32	6 7/8	5 29/32	9 27/32	8.5	1093
53000250	250	7 5/8	9 27/32	30 23/32	10 1/16	41 27/32	6 7/8	5 23/32	14 9/16	7 7/8	6 5/16	9 27/32	8.5	1479
53000300	300	8 1/4	11 1/32	29 23/32	10 1/32	45 3/8	7 15/32	6 3/32	14 3/16	8 21/32	6 11/16	11 13/16	9.5	1742
53000400	400	9 5/32	12 13/32	33 21/32	12	49 9/16	8 3/4	7 5/32	16 17/32	9 7/16	7 15/32	11 13/16	9.5	2346

Tolerance: Forged parts ± 5%, machined parts ± 1/32 inch

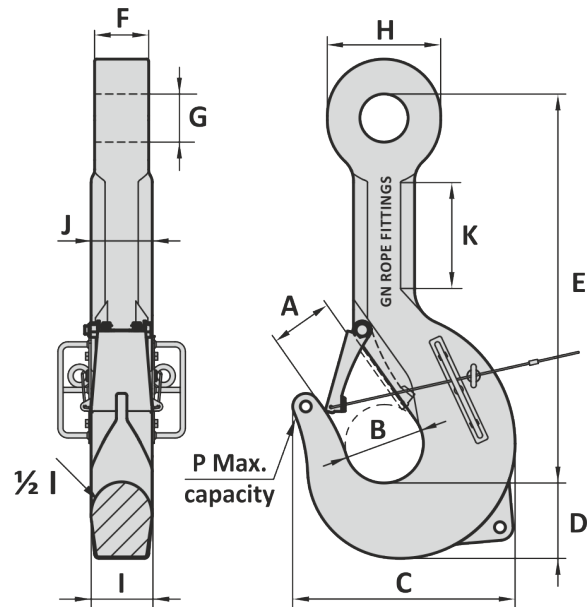
28-10-2024

Material : Alloy steel
 Safety factor : 4 times
 Finish : Painted
 Temperature range : -40°C up to +200°C, Polar Rated
 Standard certification : Certificate of Conformity
 3.1 material certificate EN 10204

Spare latches available on request



Type for hook WLL 63 ton and WLL 85 ton



Type for hook WLL 100 ton ≤ WLL 400 ton

Art. No.	WLL ton	A mm	B mm	C mm	D mm	E mm	F mm	G mm	H mm	I mm	J mm	K mm	P ton	Weight kg
53000063	63	91	125	376	118	950	85	86	180	95	110	360		92
53000080	85	104	140	418	132	893	100	86	200	106	120	290		111
53000100	100	140	175	472	150	831	110	100	228	120	120	240	4.75	178
53000125	125	145	180	509	170	890	124	110	260	140	140	240	4.75	249
53000160	160	157	190	614	190	953	138	135	300	160	150	250	6.5	362
53000200	200	176	224	688	230	998	148	135	350	175	150	250	8.5	496
53000250	250	194	250	780	256	1063	175	145	370	200	160	250	8.5	671
53000300	300	210	280	755	255	1153	190	155	360	220	170	300	9.5	790
53000400	400	234	315	855	305	1253	210	185	420	240	190	300	9.5	1064

Tolerance: Forged parts ± 5%, machined parts ± 1 mm

28-10-2024