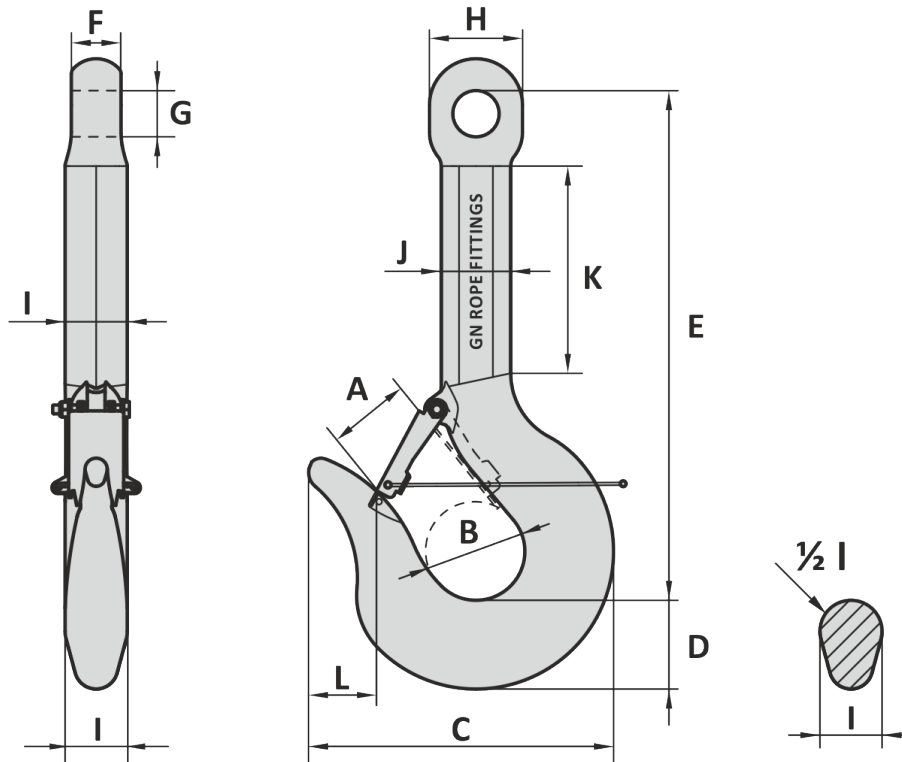
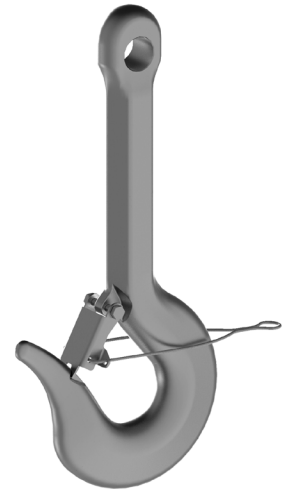


Material : Alloy steel
 Safety factor : 4 times
 Finish : Painted
 Temperature range : -40°C up to +200°C, Polar Rated
 Standard certification : Certificate of Conformity
 3.1 material certificate EN 10204

Spare latches available on request



Art. No.	WLL ton	A mm	B mm	C mm	D mm	E mm	F mm	G mm	H mm	I mm	J mm	K mm	L mm	Weight kg
53100006	6.5	40	55	182	50	400	30	28	60	45	50	225	39	8
53100008	8.5	54	68	208	55	450	30	31	75	50	56	228	47	11
53100012	12	63	80	254	70	480	41	40	78	55	61	227	63	16
53100017	17	71	90	297	85	514	48	44	88	60	67	226	79	22
53100025	25	92	110	344	100	574	56	52	105	70	78	233	76	34
53100035	35	108	130	395	120	628	58	60	124	85	96	230	79	56
53100040	42.5	118	150	425	130	640	70	70	135	100	96	230	79	70
53100050	55	132	160	468	143	708	80	74	145	105	101	228	81	91

Tolerance: Forged parts ± 5%, machined parts ± 1 mm

Art. No.	WLL ton	A inch	B inch	C inch	D inch	E inch	F inch	G inch	H inch	I inch	J inch	K inch	L inch	Weight lbs
53100006	6.5	1 5/16	2 1/32	7 5/32	1 31/32	16 3/4	1 3/16	1 3/32	2 3/8	1 25/32	1 31/32	8 7/8	1 17/32	18
53100008	8.5	2 1/8	2 11/16	8 3/16	2 5/32	18 29/32	1 3/16	1 7/32	2 15/16	1 31/32	2 3/16	8 31/32	1 27/32	24
53100012	12	2 15/32	3 3/32	10	2 3/4	20 1/16	1 5/8	1 1/16	3 1/16	2 5/32	2 13/32	8 15/16	2 15/32	35
53100017	17	2 13/16	3 3/16	11 11/16	3 11/32	21 21/32	1 7/8	1 3/4	3 15/32	2 3/8	2 5/8	8 29/32	3 1/8	49
53100025	25	3 5/8	4 5/16	13 3/16	3 15/16	24	2 3/16	2 1/16	4 1/8	2 3/4	3 1/16	9 3/16	3	75
53100035	35	4 1/4	5 1/8	15 3/16	4 23/32	26 3/8	2 9/32	2 3/8	4 7/8	3 11/32	3 25/32	9 1/16	3 1/8	123
53100040	42.5	4 21/32	5 29/32	16 3/4	5 1/8	25 3/16	2 3/4	2 3/4	5 1/16	3 15/16	3 25/32	9 1/16	2 3/4	154
53100050	55	5 3/16	6 5/16	18 7/16	5 5/8	27 7/8	3 5/32	2 29/32	5 23/32	4 1/8	3 31/32	8 31/32	3 3/16	201

Tolerance: Forged parts ± 5%, machined parts ± 1/32 inch

28-10-2024