

Material : Alloy steel, Grade R3/R3S/R4/R4S/R5
 Finish : Painted
 Temperature range : -40°C up to +200°C, Polar Rated
 Standard certification : Certificate of Conformity
 3.1 material certificate EN 10204

Non-standard sizes or custom products available on request

GENERAL

SHACKLES

THIMBLES

SOCKETS

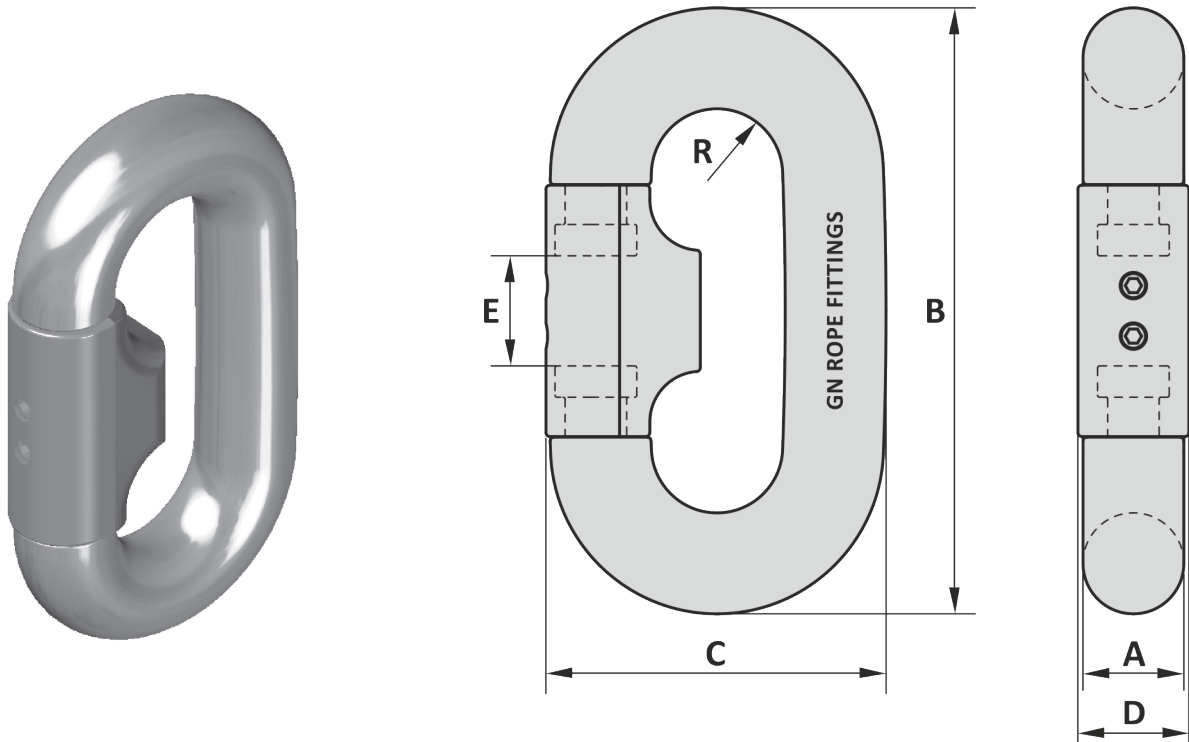
LINKS

SWIVELS

HOOKS

MOORING

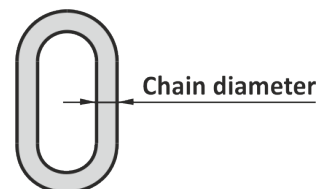
OTHERS



Dimensions for shackles are calculated by multiplying the common link size by the factor shown below

Dimensions related to nominal chain diameter

- A = 1.0 x chain diameter
- B = 6.0 x chain diameter
- C = 3.37 x chain diameter
- D = 1.1 x chain diameter
- E = 1.1 x chain diameter
- R = 0.65 x chain diameter



Tolerance: According to ISO 20438

18-04-2025