

GENERAL

Material : Alloy steel  
 Safety factor : 5 times  
 Finish : Painted  
 Temperature range : -20°C up to +200°C  
 Standard certification : Certificate of Conformity

SHACKLES

THIMBLES

SOCKETS

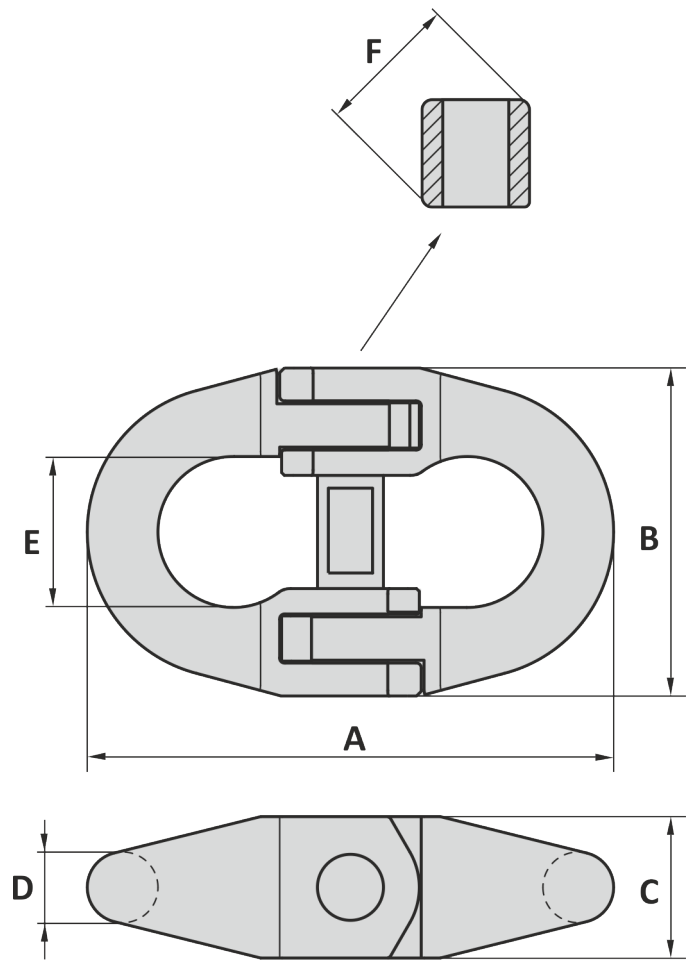
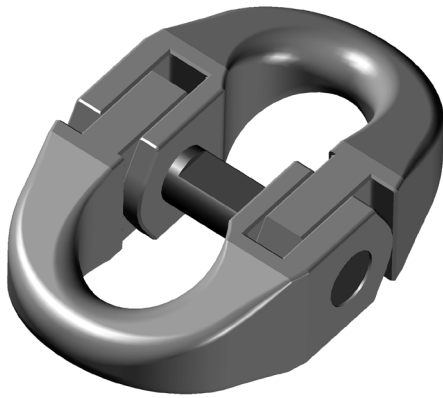
LINKS

SWIVELS

HOOKS

MOORING

OTHERS



Art. No.	WLL ton	PL ton	A mm	B mm	C mm	D mm	E mm	F mm	Weight kg
40000001	110	220	560	360	108	76	156	150	76

Tolerance: ± 5%

Art. No.	WLL ton	PL ton	A inch	B inch	C inch	D inch	E inch	F inch	Weight lbs
40000001	110	220	22 1/8	14 3/8	4 1/4	3	6 1/8	5 7/8	168

Tolerance: ± 5%

26-02-2025