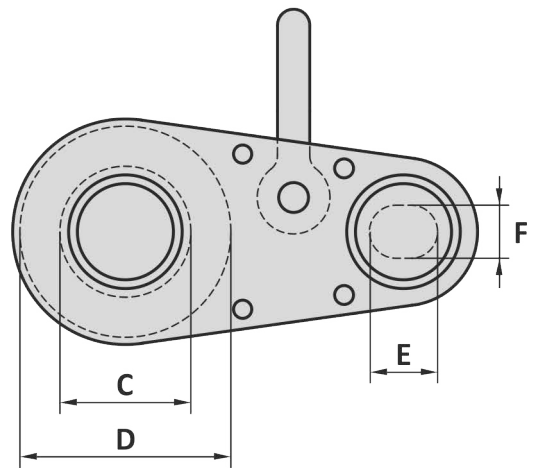
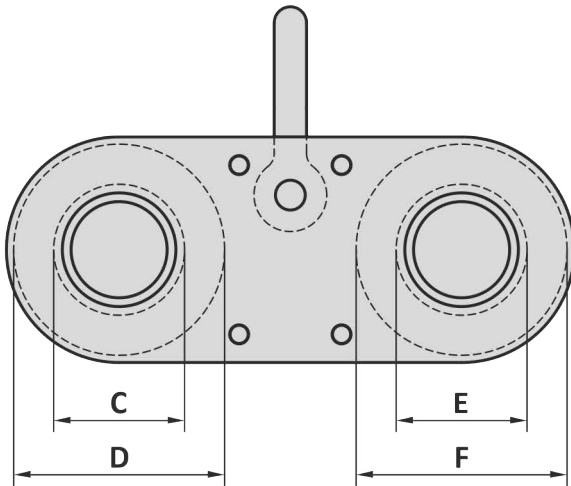
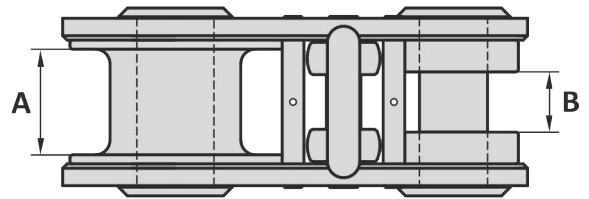
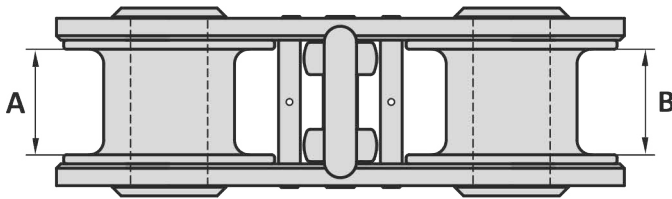
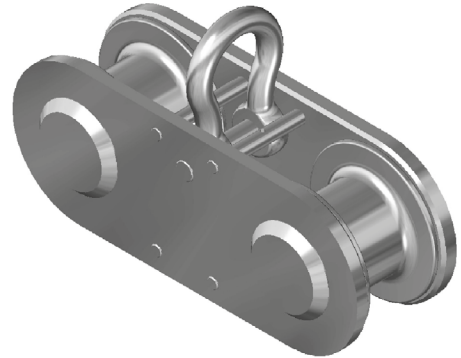


GENERAL
SHACKLES
THIMBLES
SOCKETS
LINKS
SWIVELS
HOOKS
MOORING
OTHERS

Material : Alloy steel, Grade R3/R3S/R4/R4S/R5
 Finish : Painted
 Temperature range : -40°C up to +200°C, Polar Rated
 Standard certification : Certificate of Conformity
 3.1 material certificate EN 10204

to suit: **rope - rope**
rope - chain
chain - chain



Dimensions on customer request

Available with: Tapped holes

Orkot bush

Hanger shackle

Tolerance: Machined part ± 1 mm

12-08-2014