

GENERAL

Material : Alloy steel
 Safety factor : 5 times, except the special types
 Finish : Galvanized with stainless steel cotter pins
 Temperature range : -40°C up to +200°C, Polar Rated
 Standard certification : Certificate of Conformity
 3.1 material certificate EN 10204

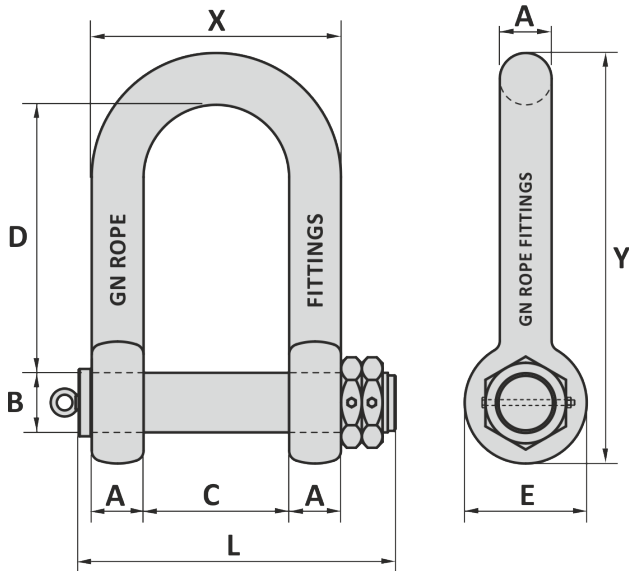
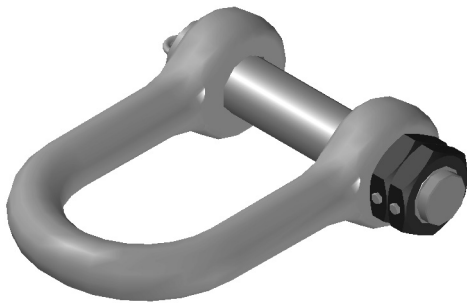
SHACKLES

Non-standard sizes or custom products available on request

Ensure that the load is centralized on the pin
 When there is too much space in the jaw gap, we advise to use washers
 These are available on request

THIMBLES

SOCKETS



* Shackles WLL 34 and 60 ton are not supplied with an eyebolt

Art. No.	WLL ton	MBL ton	Thimble size inch	A mm	B mm	C mm	D mm	E mm	L mm	X mm	Y mm	Weight kg
38526509	34	170	8 ½ - 10	50	65	140	285	115	345	240	425	23
38657609	60	300	11 - 13	70	76	175	350	165	430	315	541	59
38769009	85	425	14 - 15	80	90	220	390	178	505	380	604	85
38891029	110	550	16 - 18	90	100	254	430	210	575	434	675	122
38902119	130	650	19 - 21	100	114	290	480	235	620	490	755	170
38910009	200	1000	19 - 21	125	133	300	600	265	695	550	924	282
38925139	225	1125	22 - 24	130	144	333	720	280	735	593	1075	349
Special heavy duty double nut shackle												
32105120	200	498	18	105	120	254	500	228	610	464	779	205
32115125	200	498	21	115	125	285	520	238	655	510	797	244
32115126	250	612	15	115	125	220	400	238	595	450	697	203
32125131	250	612	18	125	130	254	500	238	650	504	809	248
32125138	250	612	21	125	130	285	480	260	675	530	800	274
32140160	325	832	24	140	160	320	650	300	745	600	1020	413

Tolerance: Inside length ± 7.5%, all other forged parts ± 5%, machined parts ± 1 mm

Art. No.	WLL ton	MBL ton	Thimble size inch	A inch	B inch	C inch	D inch	E inch	L inch	X inch	Y inch	Weight lbs
38526509	34	170	8 ½ - 10	1 3/16	2 9/16	5 ½	11 7/16	4 1/2	13 1/2	9 5/16	16 3/4	51
38657609	60	300	11 - 13	2 3/4	3	6 7/8	13 5/16	6 1/2	16 1/4	12 1/2	21 1/4	130
38769009	85	425	14 - 15	3 1/4	3 1/8	8 1/2	15 1/4	7	19 1/4	14 3/8	23 1/4	187
38891029	110	550	16 - 18	3 1/8	3 1/8	10	16 1/8	8 1/4	22 1/4	17 1/4	26 1/4	269
38902119	130	650	19 - 21	3 1/4	4 1/2	11 1/4	18 1/4	9 1/4	24 1/4	19 1/4	29 1/4	375
38910009	200	1000	19 - 21	4 1/8	5 1/4	11 1/4	23 1/8	10 1/4	27 1/8	21 1/4	36 1/4	622
38925139	225	1125	22 - 24	5 1/8	5 1/8	13 1/8	28 1/4	11 1/4	28 1/4	23 1/4	42 1/4	769
Special heavy duty double nut shackle												
32105120	200	498	18	4 1/8	4 3/16	10	19 1/8	8 3/16	24	18 1/4	30 1/8	452
32115125	200	498	21	4 1/4	4 1/8	11 1/4	20 1/4	9 3/8	25 1/4	20 1/4	31 3/8	538
32115126	250	612	15	4 1/4	4 1/8	8 1/4	15 3/4	9 3/8	23 1/4	17 3/8	27 1/8	448
32125131	250	612	18	4 1/8	5 1/8	10	19 1/8	9 3/8	25 1/4	19 3/8	31 3/8	547
32125138	250	612	21	4 1/8	5 1/8	11 1/4	18 1/4	10 1/4	26 1/4	20 1/4	31 1/2	604
32140160	325	832	24	5 1/2	6 1/8	12 1/4	25 1/4	11 1/4	29 1/4	23 1/4	40 1/2	911

Tolerance: Inside length ± 7.5%, all other forged parts ± 5%, machined parts ± 1/32 inch

12-01-2023

SWIVELS

HOOKS

MOORING

OTHERS