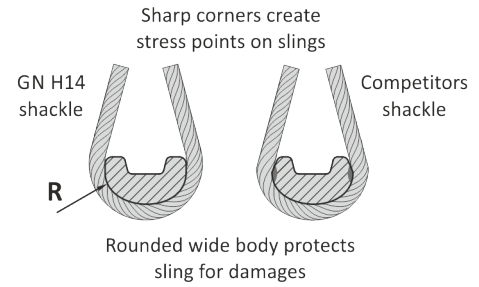


GENERAL

- Material : Alloy steel
- Safety factor : ≤ 2000 ton 5 times
 > 2000 ≤ 3000 ton 4,5 times
 > 3000 ton 4 times
- Finish : Painted
- Temperature range : ≤ 40 ton -4°F up to +392°F
 > 40 ton -40°F up to +392°F, Polar Rated
- Standard certification : Certificate of Conformity
 3.1 material certificate EN 10204

Non-standard sizes or custom products available on request



SHACKLES

THIMBLES

SOCKETS

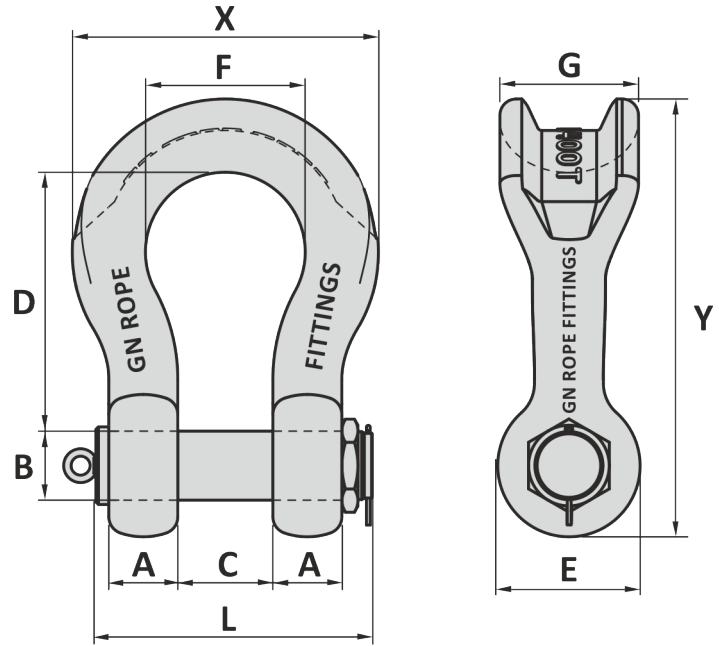
LINKS

SWIVELS

HOOKS

MOORING

OTHERS



* Shackles from WLL 30 ≤ 125 ton are not supplied with an eyebolt, shackles from WLL 900 ton completed with eyebolts on both sides

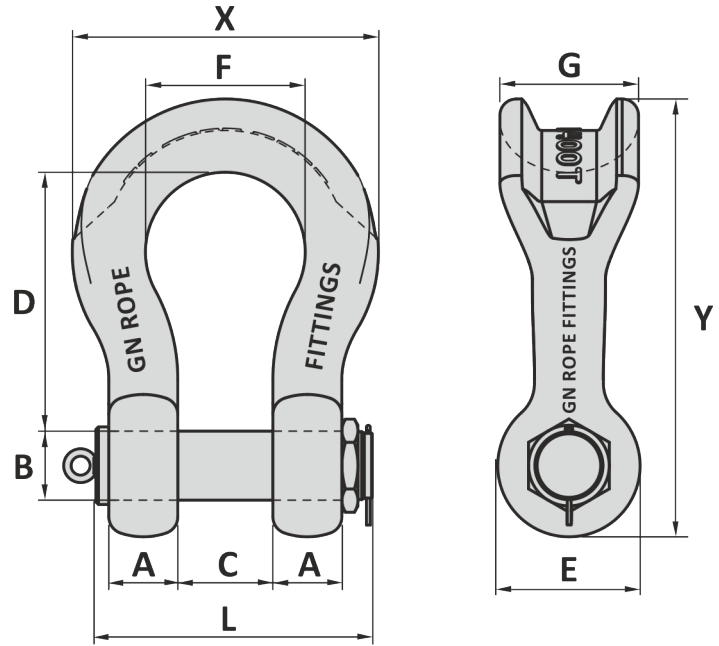
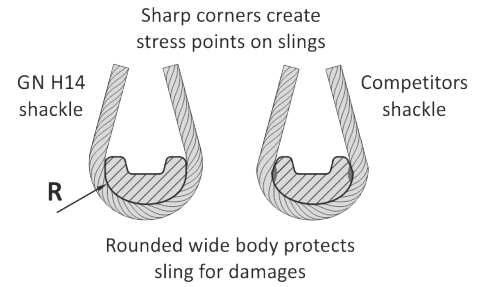
Art. No.	WLL ton	A inch	B inch	C inch	D inch	E inch	F inch	G inch	L inch	R inch	X inch	Y inch	Weight lbs
36000025	30	1 3/8	1 25/32	2 3/8	7	3 1/2	5 1/2	3 3/32	7 3/4	1 25/32	8 1/4	11 13/32	29
36000040	40	1 29/32	2	3 3/16	7 7/8	4 3/32	5 1/2	3 13/16	9 15/16	2 3/32	9 1/8	13 1/32	46
36000055	55	2 9/16	2 5/8	3 3/16	9 27/32	5 1/8	6 5/16	4 7/16	11 5/8	2 5/32	11 11/32	15 25/32	75
36000075	75	2 15/16	2 3/4	4 3/16	11 13/16	5 29/32	7 3/32	4 23/32	13 19/32	2 3/8	13 3/32	19 3/32	117
36000125	125	3 11/32	3 5/8	5 1/2	14 1/16	6 1/2	8 21/32	5 29/32	15 9/16	3 5/32	15 11/32	22 15/16	185
36000150	150	3 9/16	3 3/4	5 29/32	15 3/4	7 7/8	9 27/32	6 11/16	16 17/32	3 9/16	16 7/8	25 1/8	254
36000200	200	4 7/8	4 1/8	6 5/16	18 29/32	8 7/8	10 13/16	8 1/16	18 1/2	4 5/16	19 1/16	29 23/32	403
36000250	250	4 23/32	4 23/32	7 3/32	21 21/32	9 7/16	11 13/16	9 1/16	20 15/32	4 15/16	21 1/4	33 15/32	562
36000300	300	5 1/2	5 9/32	7 11/16	23 5/8	11 1/32	13 25/32	10 7/16	22 27/32	5 1/2	24 23/32	37 9/32	811
36000400	400	6 5/16	6 1/16	9 1/16	24 13/32	13	14 9/16	12 19/32	25 25/32	6 11/16	27 7/8	40 3/4	1259
36000500	500	6 11/16	7 3/32	10 7/16	26 25/32	13 25/32	17 3/16	13 3/8	27 15/16	7 3/32	30 1/16	44 9/32	1585
36000600	600	7 3/32	7 7/8	11 13/32	28 11/32	15 15/16	19 9/32	14 9/16	31 5/16	7 15/32	33 15/32	47 3/4	2116
36000700	700	8 1/4	8 15/32	12 19/32	30 23/32	18 3/16	21 1/4	15 3/4	34 21/32	8 1/4	37 11/16	52 3/8	2976
36000800	800	8 27/32	9 1/16	13 19/32	31 1/2	18 3/16	21 27/32	16 17/32	36 13/32	8 21/32	38 31/32	53 15/32	3086
36000900	900	9 1/4	9 27/32	14 9/16	33 15/32	18 29/32	23 1/2	17 3/16	39 3/4	9 1/4	41 1/4	57 7/32	4079
36001000	1000	9 3/4	10 3/8	16 7/8	33 15/32	20 7/8	23 5/8	18 1/8	41 3/4	9 7/16	42 3/8	58 21/32	4519
36001250	1250	10 13/16	11 13/16	17 29/32	37 13/16	22 7/32	25 3/8	22 1/16	47 3/8	11 7/32	47 7/16	67 7/8	6614
36001500	1550	10 13/16	12 19/32	19 3/32	38 19/32	24	26 25/32	22 27/32	48 13/16	11 13/32	48 13/16	68 11/16	7275
36001750	1750	12 3/16	14 3/16	19 11/16	44 3/32	26	27 9/16	23 5/8	52 5/32	11 13/16	53	77 7/32	10362
36002000	2000	12 19/32	15 5/32	20 15/32	44 7/8	26 25/32	27 3/4	24 13/32	53 3/4	12 3/16	53 7/8	79 7/32	10582
36002500	2500	13	15 3/4	20 15/32	44 7/8	29 7/8	27 15/16	25	54 5/16	12 19/32	54 7/16	81 3/16	11905
36003000	3000	13 3/8	16 17/32	20 7/8	44 7/8	29 15/16	28 11/32	25 19/32	55 1/2	13	55 5/8	81 7/8	12787
36003500	3500	13 25/32	17 3/16	21 1/4	44 7/8	31 3/32	29 7/32	26 3/8	58 1/4	13 3/8	58 1/4	83 7/8	14991
36004000	4000	14 3/16	18 1/8	21 21/32	44 7/8	31 7/8	29 15/16	27 5/32	59 7/16	13 25/32	59 7/16	84 1/4	15873

Tolerance: Inside length ± 7.5%, all other forged parts ± 5%, machined parts ± 1/32 inch

22-10-2024

Material : Alloy steel
 Safety factor : ≤ 2000 ton 5 times
 > 2000 ≤ 3000 ton 4,5 times
 > 3000 ton 4 times
 Finish : Painted
 Temperature range : ≤ 40 ton -20°C up to +200°C
 > 40 ton -40°C up to +200°C, Polar Rated
 Standard certification : Certificate of Conformity
 3.1 material certificate EN 10204

Non-standard sizes or custom products available on request



* Shackles from WLL 30 ≤ 125 ton are not supplied with an eyebolt, shackles from WLL 900 ton completed with eyebolts on both sides

Art. No.	WLL ton	A mm	B mm	C mm	D mm	E mm	F mm	G mm	L mm	R mm	X mm	Y mm	Weight kg
36000025	30	35	45	60	178	89	128	80	197	45	210	290	13
36000040	40	45	51	84	200	109	140	97	252	53	232	331	21
36000055	55	65	58	90	250	130	160	110	295	55	288	401	34
36000075	75	75	70	110	300	150	185	120	345	60	334	485	53
36000125	125	85	80	140	370	165	220	150	395	80	390	583	84
36000150	150	90	95	150	400	200	250	170	420	90	429	638	115
36000200	200	105	105	160	480	225	275	205	470	110	484	755	183
36000250	250	120	120	180	550	240	300	230	520	125	540	850	255
36000300	300	140	134	195	600	280	350	265	580	140	628	947	368
36000400	400	160	160	230	620	330	370	320	655	170	689	1035	571
36000500	500	170	180	265	680	350	440	340	710	180	779	1125	719
36000600	600	180	200	290	720	405	490	370	795	190	847	1213	960
36000700	700	210	215	320	780	465	540	400	880	210	957	1330	1350
36000800	800	220	230	345	800	465	555	420	925	220	990	1358	1400
36000900	900	235	250	370	850	480	585	440	1010	235	1060	1450	1850
36001000	1000	235	270	410	850	530	600	460	1060	240	1076	1490	2050
36001250	1250	275	300	455	960	590	645	560	1210	285	1205	1705	3000
36001500	1550	275	320	485	980	610	680	580	1240	290	1240	1745	3300
36001750	1750	310	360	500	1120	660	700	600	1325	300	1346	1960	4700
36002000	2000	320	385	520	1140	680	705	620	1365	310	1368	2012	4800
36002500	2500	330	400	520	1140	740	710	635	1380	320	1383	2065	5400
36003000	3000	340	420	530	1140	760	720	650	1410	330	1413	2080	5800
36003500	3500	350	440	540	1140	790	750	670	1480	340	1480	2130	6800
36004000	4000	360	460	550	1140	810	760	690	1510	350	1510	2140	7200

Tolerance: Inside length ± 7.5%, all other forged parts ± 5%, machined parts ± 1 mm

22-10-2024