

GENERAL

Material : Alloy steel
 Finish : Painted
 Temperature range : -4°F up to +392°F
 Standard certification : Certificate of Conformity
 3.1 material certificate EN 10204

SHACKLES

Standard shackle with fishtail, shackles with D-handle or ring on request
 Suitable on all our type dee, bow and wide body shackles



THIMBLES

SOCKETS

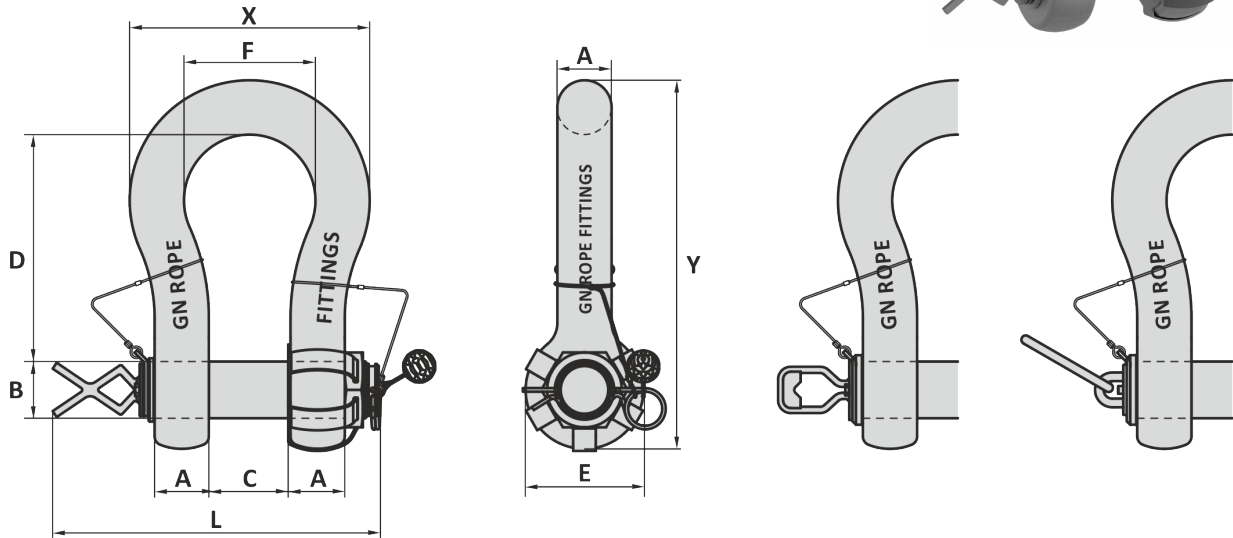
LINKS

SWIVELS

HOOKS

MOORING

OTHERS



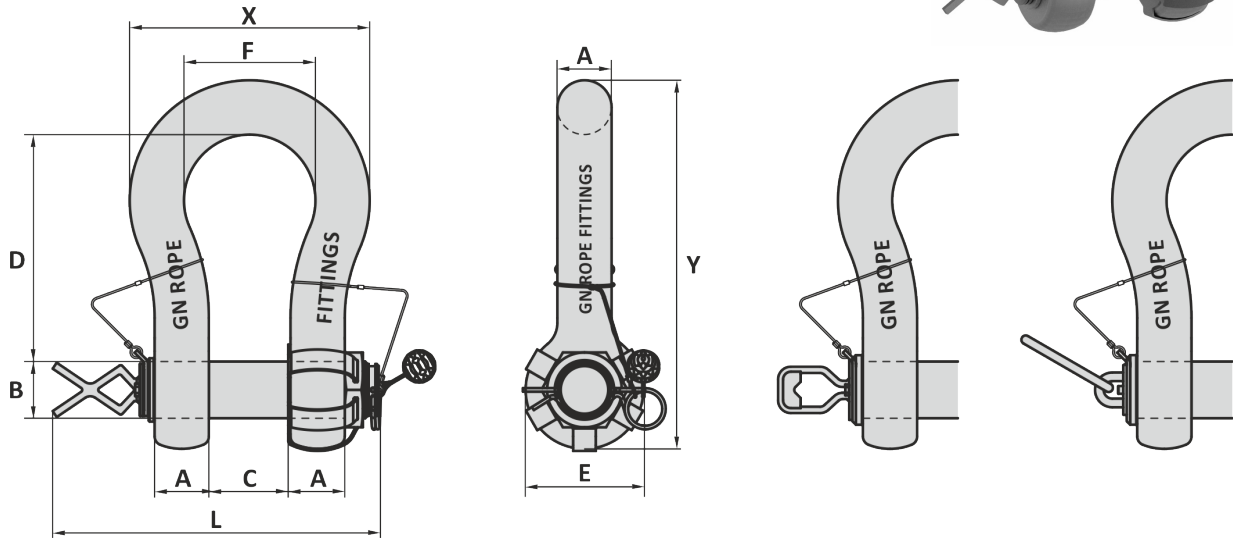
Art. No.	WLL ton	A inch	B inch	C inch	D inch	E inch	F inch	L inch	X inch	Y inch	Weight lbs
H9											
37000257	25	1 25/32	1 31/32	2 29/32	5 7/8	7	4 1/16	17 11/16	8 1/2	11 13/16	37
37000357	35	1 31/32	2 1/4	3 1/4	6 3/4	7 3/4	4 3/8	18 15/32	9 3/8	13 1/32	46
37000427	42.5	2 1/4	2 9/16	3 3/4	7 15/32	8 3/4	5 1/8	19 23/32	10 25/32	14 27/32	64
37000557	55	2 9/16	2 3/4	4 1/8	8	10 1/4	5 23/32	20 3/4	12 3/16	17 1/16	95
37000857	85	2 15/16	3 1/4	5	9	12 15/16	6 3/8	22 3/4	13 3/8	20 3/4	139
H10											
37001207	120	3 1/2	3 3/4	5 29/32	14 31/32	7 7/8	9 5/8	24 13/32	16 3/8	24 9/32	243
37001507	150	4	4 1/4	6 11/16	15 3/4	9 1/16	10 13/16	26 3/8	18 7/8	26 13/32	353
37002007	200	4 23/32	4 15/16	7 3/32	19 11/16	10 1/4	11 13/32	28 11/32	20 7/8	32	518
37002507	250	4 15/16	5 1/2	8 1/16	21 1/4	10 1/4	12	32 13/32	21 27/32	34 1/16	628
37003007	300	5 1/8	5 29/32	8 1/16	23 3/8	12	12	32 13/16	22 1/4	37 23/32	750
H10 SUPER											
38000404	40	1 25/32	1 31/32	2 29/32	7	4 1/16	4 31/32	17 19/32	8 1/2	11 13/16	35
38000554	55	2 1/4	2 1/4	3 1/4	7 3/4	4 5/8	5 1/16	19 1/8	9 15/16	13 7/16	55
37000854	85	2 3/4	2 3/4	4 1/8	10 1/4	5 5/8	7 3/32	20 3/4	12 19/32	17 3/16	99
37001104	120	3 5/32	3 1/4	5	12 15/16	6 3/8	7 15/32	22 1/16	13 25/32	20 15/16	154
37001404	150	3 9/16	3 3/4	5 5/16	14 31/32	7 7/8	9 1/16	23 13/16	16 17/32	24 1/8	243
37001754	175	4	4 1/4	5 1/2	15 3/4	9 1/16	9 27/32	25 11/32	17 23/32	26 11/32	331
37002004	200	4 23/32	4 3/4	7 3/32	19 11/16	10 1/4	11 13/32	28 11/32	20 7/8	31 15/16	496
37002504	250	4 15/16	5	8 21/32	20 15/32	10 1/4	12 13/16	30 3/16	22 5/8	33 1/32	661
37003004	300	5 5/16	6	8 21/32	19 11/16	12	13	33 25/32	24	34 3/32	776
H14											
36000047	40	1 25/32	2	3 5/16	7 7/8	4 9/32	5 1/2	17 13/16	9 5/8	13 1/32	51
36000057	55	2 9/16	2 3/16	3 3/4	9 27/32	5 5/8	6 1/16	19 11/16	11 11/32	15 3/4	90
36000077	75	2 15/16	2 3/4	4 5/16	11 13/16	5 29/32	7 3/32	21 7/16	13 5/32	19 3/32	128
36000127	125	3 11/32	3 5/32	5 1/2	14 9/16	6 1/2	8 29/32	23 7/16	15 11/32	22 15/16	203
36000157	150	3 9/16	3 3/4	5 29/32	15 3/4	7 7/8	9 27/32	24 13/32	16 7/8	25 1/8	254
36000207	200	4 1/8	4 1/8	6 5/16	18 29/32	8 3/8	10 13/16	26 3/8	19 1/16	29 23/32	403
36000257	250	4 23/32	4 23/32	7 3/32	21 29/32	9 7/16	11 13/16	28 11/32	21 1/4	33 15/32	562
36000307	300	5 1/2	5 5/32	7 11/16	23 3/8	11 1/32	13 25/32	33 3/16	24 23/32	37 5/32	811
36000407	400	6 1/16	6 1/16	9 1/16	24 13/32	13	14 1/16	36 1/8	27 1/8	40 3/4	1259

Tolerance: Inside length ± 7.5%, all other forged parts ± 5%, machined parts ± 1 mm

05-08-2021

Material : Alloy steel
 Finish : Painted
 Temperature range : -20°C up to +200°C
 Standard certification : Certificate of Conformity
 3.1 material certificate EN 10204

Standard shackle with fishtail, shackles with D-handle or ring on request
 Suitable on all our type dee, bow and wide body shackles



Art. No.	WLL	A	B	C	D	E	F	L	X	Y	Weight
H9	ton	mm	mm	mm	mm	mm	mm	mm	mm	mm	kg
37000257	25	45	50	74	149	178	103	449	216	300	17
37000357	35	50	57	83	171	197	111	469	238	331	21
37000427	42.5	57	65	95	190	222	130	501	274	377	29
37000557	55	65	70	105	203	260	145	527	310	433	43
37000857	85	75	83	127	229	329	162	578	340	527	63
H10											
37001207	120	89	95	150	380	200	238	620	416	617	110
37001507	150	102	108	170	400	230	275	670	479	671	160
37002007	200	120	125	180	500	260	290	720	530	813	235
37002507	250	125	140	205	540	260	305	823	555	865	285
37003007	300	130	150	205	600	305	305	833	565	958	340
H10 SUPER											
38000404	40	45	50	74	178	103	126	447	216	300	16
38000554	55	57	57	83	197	117	138	486	252	341	25
37000854	85	70	70	105	260	143	180	527	320	437	45
37001104	120	80	83	127	329	162	190	570	350	532	70
37001404	150	90	95	135	380	200	240	605	420	613	110
37001754	175	102	108	140	400	230	250	644	450	669	150
37002004	200	120	121	180	500	260	290	720	530	811	225
37002504	250	125	127	220	520	260	325	770	575	839	300
37003004	300	135	152	220	500	305	330	858	610	869	352
H14											
36000047	40	45	51	84	200	109	140	452	232	331	23
36000057	55	65	56	95	250	130	160	500	288	400	41
36000077	75	75	70	110	300	150	185	545	334	485	58
36000127	125	85	80	140	370	165	220	595	390	583	92
36000157	150	90	95	150	400	200	250	620	429	638	115
36000207	200	105	105	160	480	225	275	670	484	755	183
36000257	250	120	120	180	550	240	300	720	540	850	255
36000307	300	140	134	195	600	280	350	843	628	947	368
36000407	400	160	160	230	620	330	370	918	689	1035	571

Tolerance: Inside length ± 7.5%, all other forged parts ± 5%, machined parts ± 1 mm

05-08-2021