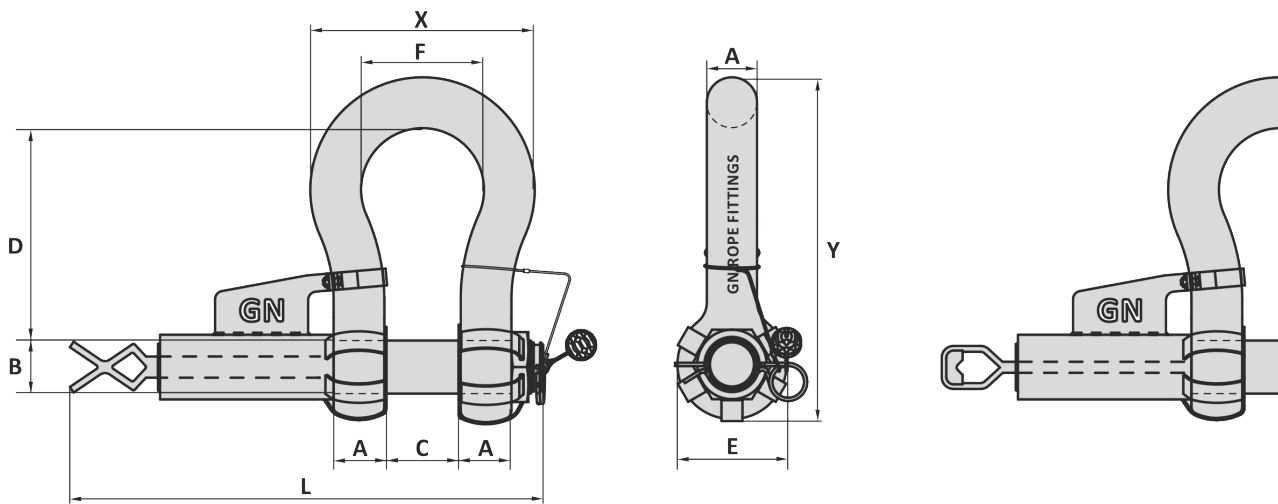


GENERAL  
SHACKLES  
THIMBLES  
SOCKETS  
LINKS  
SWIVELS  
HOOKS  
MOORING  
OTHERS

Material : Alloy steel  
 Finish : Painted  
 Temperature range : -4°F up to +392°F  
 Standard certification : Certificate of Conformity  
 3.1 material certificate EN 10204

Standard shackle with fishtail, shackle with D-handle on request  
 Suitable on all our type dee, bow and wide body shackles



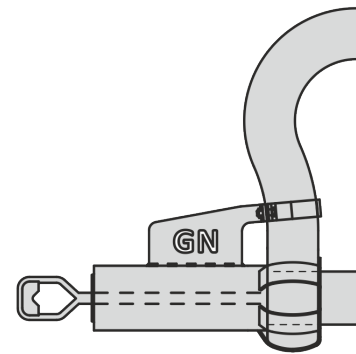
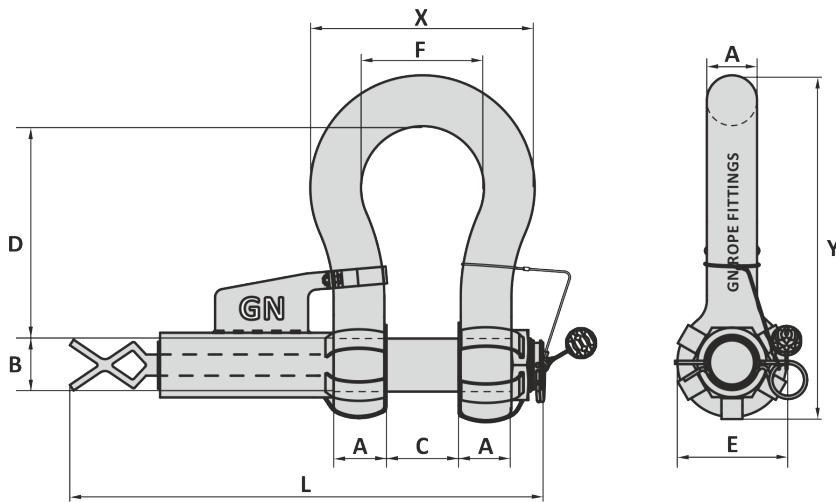
Art. No.	WLL	A	B	C	D	E	F	L	X	Y	Weight
H9	ton	inch	inch	inch	inch	inch	inch	inch	inch	inch	lbs
37000253	25	1 25/32	1 31/32	2 19/32	7	4 1/16	4 3/32	26 17/32	8 1/2	11 13/16	44
37000353	35	1 3/32	2 1/4	2 15/16	7 3/4	4 3/8	5 7/16	27 5/16	9 3/8	13 1/32	53
37000423	42.5	2 1/4	2 9/16	3 7/16	8 3/4	5 1/8	6 5/16	28 19/32	10 25/32	14 27/32	77
37000553	55	2 9/16	2 3/4	3 3/4	10 1/4	5 23/32	7 3/32	31 11/16	12 3/16	17 1/16	106
37000853	85	2 15/16	3 1/4	4 5/8	12 1/16	6 3/8	7 15/32	33 19/32	13 3/8	20 1/4	154
<b>H10</b>											
37001203	120	3 1/2	3 3/4	5 1/2	14 3/32	7 7/8	9 3/8	36 13/16	16 3/8	24 9/32	251
37001503	150	4	4 1/4	6 5/16	15 3/4	9 1/16	10 13/16	42 1/16	18 7/8	26 13/32	364
37002003	200	4 23/32	4 15/16	6 11/16	19 11/16	10 1/4	11 13/32	44	20 7/8	32	556
37002503	250	4 15/16	5 1/2	7 11/16	21 1/4	10 1/4	12	49 17/32	21 27/32	34 1/16	648
37003003	300	5 1/8	5 29/32	7 11/16	23 3/8	12	12	49 15/16	22 1/4	37 23/32	811
<b>H10 SUPER</b>											
37000852	85	2 3/4	2 3/4	3 3/4	10 1/4	5 3/8	7 3/32	31 11/16	12 19/32	17 3/16	112
37001102	120	3 5/32	3 1/4	4 5/8	12 15/16	6 3/8	7 15/32	34 27/32	13 25/32	20 15/16	168
37001402	150	3 9/16	3 3/4	4 15/16	14 31/32	7 7/8	9 7/16	36 5/32	16 17/32	24 1/8	256
37001752	175	4	4 1/4	5 1/8	15 3/4	9 1/16	9 27/32	41 1/2	17 23/32	26 11/32	357
37002002	200	4 23/32	4 3/4	6 11/16	19 11/16	10 1/4	11 13/32	44	20 7/8	31 15/16	551
37002502	250	4 15/16	5	8 1/4	20 13/32	10 1/4	12 13/16	50 1/8	22 3/8	33 1/32	661
37003002	300	5 1/16	6	8 1/4	19 11/16	12	13	50 29/32	24	34 3/32	814
<b>H14</b>											
36000053	55	2 9/16	2 1/2	3 7/32	9 27/32	5 1/8	6 5/16	28 11/32	11 11/32	15 25/32	90
36000073	75	2 15/16	2 3/4	3 15/16	11 13/16	5 29/32	7 3/32	32 9/32	13 5/32	19 3/32	143
36000123	125	3 11/32	3 5/32	5 1/8	14 9/16	6 1/2	8 23/32	35 13/16	15 11/32	22 15/16	223
36000153	150	3 9/16	3 3/4	5 1/2	15 3/4	7 7/8	9 29/32	36 13/16	16 7/8	25 1/8	287
36000203	200	4 1/8	4 1/8	5 29/32	18 29/32	8 3/8	10 13/16	42 1/16	19 1/16	29 23/32	425
36000253	250	4 23/32	4 23/32	6 11/16	21 25/32	9 7/16	11 13/16	44	21 1/4	33 15/32	600
36000303	300	5 1/2	5 5/32	7 3/32	23 3/8	11 1/32	13 25/32	49 15/16	24 23/32	37 3/32	895

Tolerance: Inside length ± 7.5%, all other forged parts ± 5%, machined parts ± 1 mm

19-12-2023

Material : Alloy steel  
 Finish : Painted  
 Temperature range : -20°C up to +200°C  
 Standard certification : Certificate of Conformity  
 3.1 material certificate EN 10204

Standard shackle with fishtail, shackle with D-handle on request  
 Suitable on all our type dee, bow and wide body shackles



Art. No.	WLL	A	B	C	D	E	F	L	X	Y	Weight
H9	ton	mm	mm	mm	mm	mm	mm	mm	mm	mm	kg
37000253	25	45	50	66	178	103	126	674	216	300	20
37000353	35	50	57	75	197	111	138	694	238	331	24
37000423	42.5	57	65	87	222	130	160	726	274	377	35
37000553	55	65	70	95	260	145	180	805	310	433	48
37000853	85	75	83	117	329	162	190	853	340	527	70
<b>H10</b>											
37001203	120	89	95	140	380	200	238	935	416	617	114
37001503	150	102	108	160	400	230	275	1068	479	671	165
37002003	200	120	125	170	500	260	290	1118	530	813	252
37002503	250	125	140	195	540	260	305	1258	555	865	294
37003003	300	130	150	195	600	305	305	1268	565	958	368
<b>H10 SUPER</b>											
37000852	85	70	70	95	260	143	180	805	320	437	51
37001102	120	80	83	117	329	162	190	885	350	532	76
37001402	150	90	95	125	380	200	240	920	420	613	116
37001752	175	102	108	130	400	230	250	1042	450	669	162
37002002	200	120	121	170	500	260	290	1118	530	811	250
37002502	250	125	127	210	520	260	325	1273	575	839	282
37003002	300	135	152	210	500	305	330	1293	610	869	369
<b>H14</b>											
36000053	55	65	58	82	250	130	160	720	288	401	41
36000073	75	75	70	100	300	150	185	820	334	485	65
36000123	125	85	80	130	370	165	220	910	390	583	101
36000153	150	90	95	140	400	200	250	935	429	638	130
36000203	200	105	105	150	480	225	275	1068	484	755	193
36000253	250	120	120	170	550	240	300	1118	540	850	272
36000303	300	140	134	185	600	280	350	1268	628	947	406

Tolerance: Inside length ± 7.5%, all other forged parts ± 5%, machined parts ± 1 mm

19-12-2023