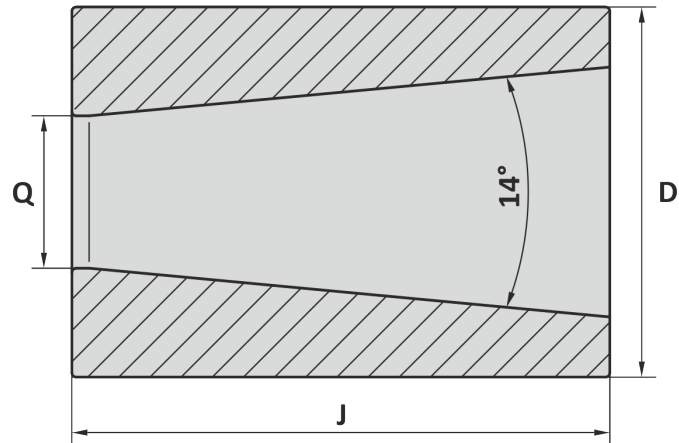


Material : Alloy steel
 Finish : Zinc painted

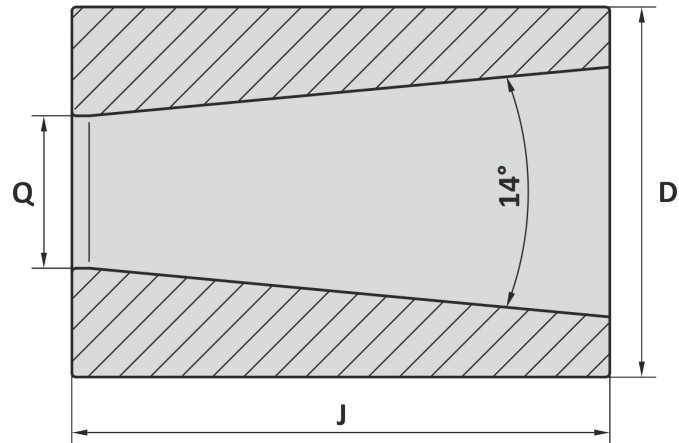


Art. No.	Rope inch	MBL ton	D inch	J inch	Q inch	Weight lbs
47700016	5/8	30	1 3/32	2 5/8	23/32	1.5
47700020	3/4	60	2 3/8	3 5/16	7/8	2.9
47700024	1	75	2 3/4	3 31/32	1 1/32	4.6
47700028	1 1/8	100	3 5/32	4 21/32	1 3/16	7.1
47700032	1 1/4	125	3 9/16	5 9/32	1 3/8	10
47700036	1 3/8	150	4 1/8	5 15/16	1 17/32	16
47700040	1 5/8	180	4 5/16	6 5/8	1 11/16	19
47700044	1 3/4	200	4 15/16	7 9/32	1 7/8	26
47700048	1 7/8	230	5 1/2	7 15/16	2 1/16	37
47700052	2	280	5 29/32	8 19/32	2 3/16	46
47700056	2 1/4	320	6 5/16	9 1/4	2 3/8	57
47700060	2 3/8	360	7 3/32	9 15/16	2 9/16	79
47700066	2 1/2	425	7 15/32	10 29/32	2 1/16	95
47700072	2 3/4	500	8 1/4	11 7/8	3 1/16	128
47700078	3	600	9 1/16	12 29/32	3 5/16	168
47700084	3 1/4	700	9 27/32	13 29/32	3 19/32	214
47700090	3 1/2	750	10 1/4	14 7/8	3 13/16	243
47700096	3 3/4	875	11 1/32	15 7/8	4 5/32	302
47700102	4	950	11 15/16	16 27/32	4 5/16	370
47700108	4 1/4	1100	12 3/16	17 7/8	4 5/8	410
47700114	4 1/2	1200	13	18 7/8	4 27/32	496
47700120	4 3/4	1300	13 25/32	19 29/32	5 1/8	589
47700126	5	1400	14 9/16	20 13/16	5 17/32	697
47700132	5 1/4	1500	14 31/32	21 13/16	5 3/8	756

Tolerance: Machined parts ± 1/32 inch

28-01-2022

Material : Alloy steel
 Finish : Zinc painted



Art. No.	Rope mm	MBL ton	D mm	J mm	Q mm	Weight kg
47700016	16	30	50	67	18	0.7
47700020	20	60	60	84	22	1.3
47700024	24	75	70	101	26	2.1
47700028	28	100	80	118	30	3.2
47700032	32	125	90	134	35	4.5
47700036	36	150	105	151	39	7.2
47700040	40	180	110	168	43	8.4
47700044	44	200	125	185	48	12
47700048	48	230	140	202	52	17
47700052	52	280	150	218	56	21
47700056	56	320	160	235	60	26
47700060	60	360	180	252	65	36
47700066	66	425	190	277	71	43
47700072	72	500	210	302	78	58
47700078	78	600	230	328	84	76
47700084	84	700	250	353	91	97
47700090	90	750	260	378	97	110
47700096	96	875	280	403	104	137
47700102	102	950	300	428	110	168
47700108	108	1100	310	454	117	186
47700114	114	1200	330	479	123	225
47700120	120	1300	350	504	130	267
47700126	126	1400	370	529	136	316
47700132	132	1500	380	554	143	343

Tolerance: Machined parts ± 1 mm

28-01-2022