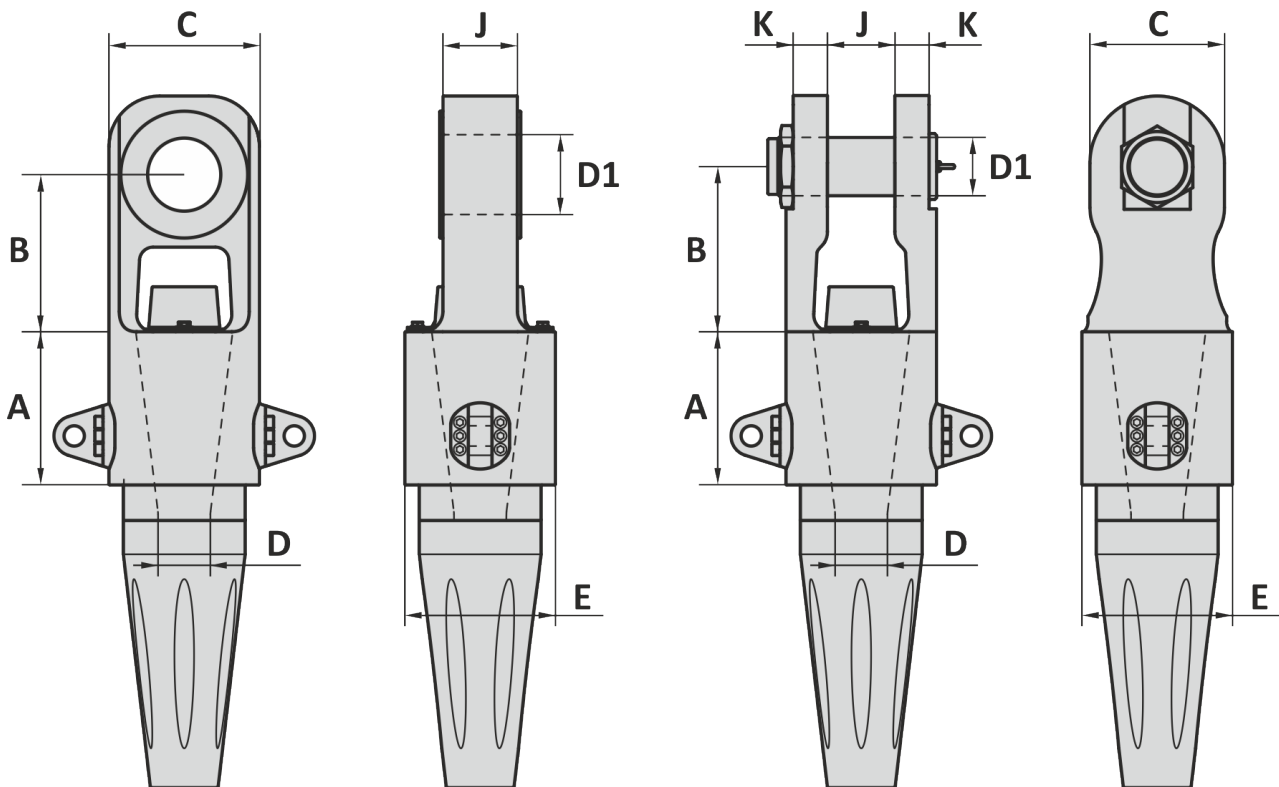


Material : Alloy steel
 Finish : Painted
 Temperature range : -40°C up to +200°C, Polar Rated
 Standard certification : Certificate of Conformity
 3.1 material certificate EN 10204

PMS / LTM forged sockets are prepared to operate in a wire-rope connection with a flange-mounted bending stiffener. The stiffener protects the rope for buckling during transport and installation.



Dimensions on customer request

Available with: Tapped holes (for lifting)

Orkot isolation

Padeyes

Anode

Bend stiffener

Locking system

Stainless steel bolt

Tolerance: Machined parts ± 1 mm

04-08-2021