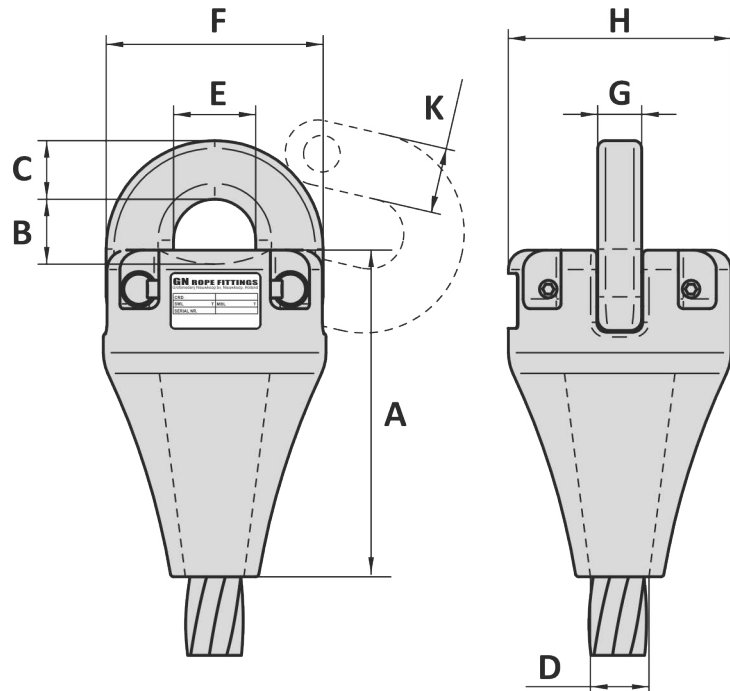


Material : Alloy steel, Grade R3/R3S/R4/R4S/R5
 Safety factor : 5 times
 Finish : Painted
 Temperature range : -40°C up to +200°C
 Standard certification : Certificate of Conformity
 3.1 material certificate EN 10204

Suitable for use with common studless links and end links
 Non-standard sizes or custom products available on request



Art. No.	Type No.	Wire dia inch	Chain inch	Chain inch	MBL ton	A mm	B mm	C mm	D mm	E mm	F mm	G mm	H mm	K mm	Weight kg
47006229	622	2 - 2 ¼	2	2	250	304	70	60	59	84	222	45	238	69	47
47006289	628	3 - 3 ¼	3	3	600	465	120	100	86	112	340	70	378	114	211
47006309	630	3 ½ - 3 ¾	3 ½	3 ½	800	520	152	120	99	140	400	80	420	130	304

Tolerance: ± 5%, machined parts ± 1 mm

Art. No.	Type No.	Wire dia inch	Chain inch	Chain inch	MBL ton	A inch	B inch	C inch	D inch	E inch	F inch	G inch	H inch	K inch	Weight lbs
47006229	622	2 - 2 ¼	2	2	250	11 ¾	2 ¾	2 ⅜	2 ⅝	3 ⅝	8 ¾	1 ⅝	9 ⅜	2 ⅜	47
47006289	628	3 - 3 ¼	3	3	600	18 ⅝	4 ⅝	3 ⅝	3 ⅜	4 ⅜	13 ⅜	2 ¾	14 ⅞	4 ½	211
47006309	630	3 ½ - 3 ¾	3 ½	3 ½	800	20 ⅝	6	4 ⅝	3 ⅝	5 ½	15 ¾	3 ⅝	16 ⅝	5 ⅞	304

Tolerance: ± 5%, machined parts ± ½ inch

04-12-2014