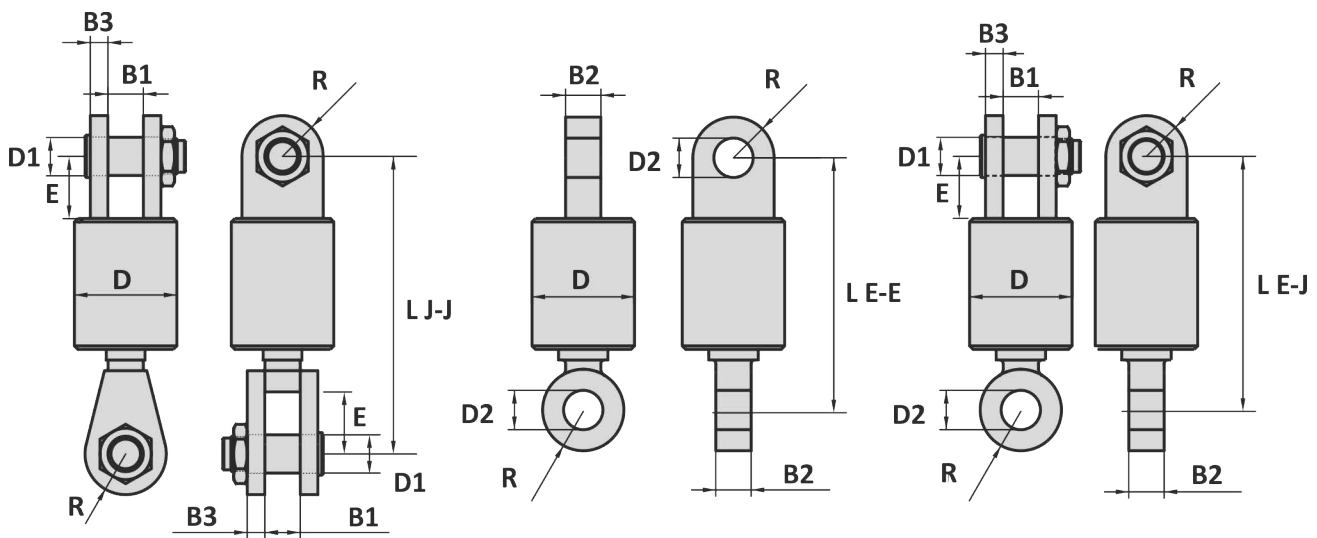
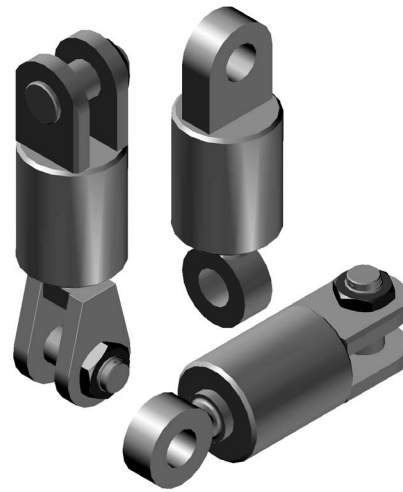


Material : High tensile steel
Safety factor : 5 times
Finish : Painted
Temperature range : -4°F up to +392°F
Standard certification : Certificate of Conformity
 3.1 material certificate EN 10204



Jaw - Jaw

Eye - Eye

Eye - Jaw

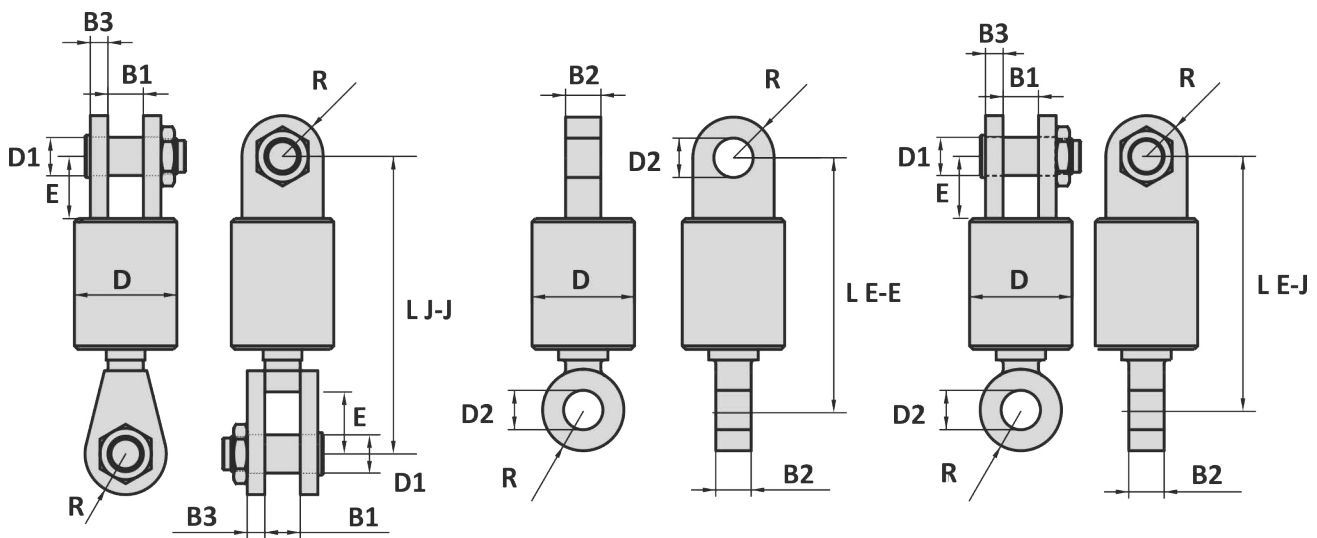
Art. No. Jaw-Jaw	Art. No. Eye-Eye	Art. No. Eye-Jaw	WLL ton	B1 inch	B2 inch	B3 inch	D1 inch	D2 inch	D inch	E inch	L inch	L inch	L inch	R inch	Weight J-J lbs	Weight E-E lbs	Weight E-J lbs
40110017	40115017	40119017	17	2 1/16	2 1/2	1 3/32	2 13/32	2 1/16	6 11/16	5 1/8	18 29/32	16 1/8	18 29/32	2 3/4	130	97	121
40110025	40115025	40119025	25	3	2 3/4	1 1/16	2 3/4	2 27/32	7 15/32	5 23/32	22 1/4	17 23/32	21 1/16	2 3/4	185	141	170
40110035	40115035	40119035	35	3 9/16	3 1/2	1 1/16	3 1/2	3 1/2	9 27/32	6 7/8	27 1/2	21 1/4	25 3/8	3 11/32	370	293	344
40110055	40115055	40119055	55	4 5/16	3 15/16	1 31/32	3 15/16	4 1/16	10 5/8	6 7/8	31 1/2	27 1/2	30 29/32	4 1/8	604	470	560
40110070	40115070	40119070	70	4 5/16	3 15/16	2 5/32	4 1/4	4 3/8	11 13/32	6 11/16	31 7/8	27 1/16	31 7/8	4 13/32	712	556	606
40110085	40115085	40119085	85	5 1/8	4 23/32	2 15/16	5	5 1/8	13 25/32	6 7/8	34 1/4	32 11/16	33 21/32	5 5/16	1166	891	988
40110120	40115120	40119120	120	6 3/32	5 1/2	3 9/16	6	6 3/32	16 15/16	7 15/32	35 1/2	36 7/32	36 13/32	6 11/16	1876	1462	1618
40110150	40115150	40119150	150	6 11/16	6 5/16	3 15/16	7	7 1/8	18 1/2	8 1/4	39 1/2	37 13/16	40 7/8	7 15/32	2579	1967	2183
40110200	40115200	40119200	200	7 15/32	6 11/16	4 5/16	7 15/32	7 15/32	20 7/8	9 27/32	45 9/32	41 3/4	46 7/16	8 23/32	3805	2698	3139
40110250	40115250	40119250	250	8 1/4	7 15/32	4 23/32	9 27/32	9 31/32	23 3/8	11 1/32	48 13/16	46 1/16	51 3/16	10 1/4	5703	3829	4608
40110300	40115300	40119300	300	9 27/32	7 15/32	6 7/8	11 13/32	11 17/32	29 15/32	11 13/16	53 3/32	50 3/8	56 11/16	11 13/16	9524	6105	7579

Tolerance: ± 5%, machined parts ± 1/32 inch

12-07-2017

GENERAL SHACKLES THIMBLES SOCKETS LINKS SWIVELS HOOKS MOORING OTHERS

Material : High tensile steel
 Safety factor : 5 times
 Finish : Painted
 Temperature range : -20°C up to +200°C
 Standard certification : Certificate of Conformity
 3.1 material certificate EN 10204



Jaw - Jaw

Eye - Eye

Eye - Jaw

Art. No. Jaw-Jaw	Art. No. Eye-Eye	Art. No. Eye-Jaw	WLL ton	B1 mm	B2 mm	B3 mm	D1 mm	D2 mm	D mm	E mm	L mm J-J	L mm E-E	L mm E-J	R mm	Weight kg J-J	Weight kg E-E	Weight kg E-J
40110017	40115017	40119017	17	65	55	28	63	65	170	130	480	410	480	70	59	44	55
40110025	40115025	40119025	25	76	70	30	70	72	190	145	565	450	535	70	84	64	77
40110035	40115035	40119035	35	90	80	40	80	82	250	175	690	540	645	85	168	133	156
40110055	40115055	40119055	55	110	100	50	100	103	270	175	800	690	785	105	274	213	254
40110070	40115070	40119070	70	110	100	55	108	111	290	170	810	700	810	115	323	252	275
40110085	40115085	40119085	85	130	120	75	127	130	350	175	870	830	855	135	529	404	448
40110120	40115120	40119120	120	155	140	90	152	155	430	190	890	920	925	170	851	663	734
40110150	40115150	40119150	150	170	160	100	178	181	470	210	1003	960	1038	190	1170	892	990
40110200	40115200	40119200	200	190	170	110	190	193	530	250	1150	1060	1180	220	1726	1224	1424
40110250	40115250	40119250	250	210	190	120	250	253	600	280	1240	1170	1300	260	2587	1737	2090
40110300	40115300	40119300	300	250	190	175	290	293	750	300	1350	1280	1440	300	4320	2769	3438

Tolerance: ± 5%, machined parts ± 1 mm

12-07-2017