

GENERAL

Material : Alloy steel
 Safety factor : 5 times
 Finish : Painted
 Temperature range : -20°C up to +200°C
 Standard certification : Certificate of Conformity

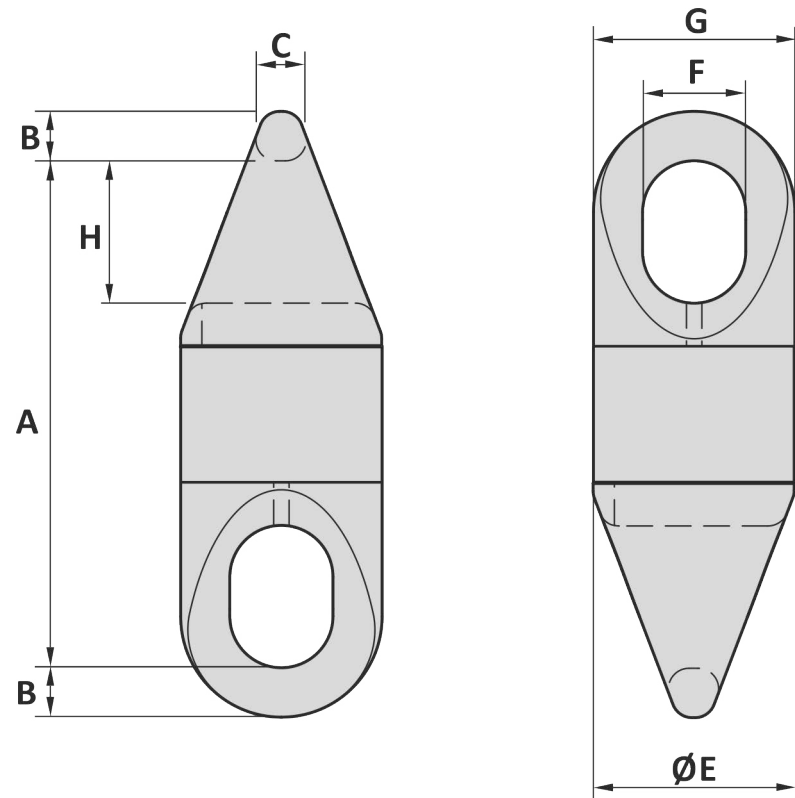
SHACKLES

THIMBLES

SOCKETS

LINKS

SWIVELS



HOOKS

MOORING

OTHERS

Art. No.	Size inch	WLL ton	MBL ton	A mm	B mm	C mm	E mm	F mm	G mm	H mm	Weight kg
47020250	2	50	250	610	55	50	200	115	200	165	130
47020300	2 ¼	60	300	700	65	57	225	135	230	195	152
47020400	2 ½	80	400	710	75	65	250	150	270	205	180
47020600	3	120	600	805	85	75	300	175	342	240	295
47020800	3 ½	160	800	945	105	95	330	205	360	285	412
47020900	4	180	900	1065	110	100	360	225	380	320	520

Tolerance: ± 5%

Art. No.	Size inch	WLL ton	MBL ton	A inch	B inch	C inch	E inch	F inch	G inch	H inch	Weight lbs
47020250	2	50	250	24	2 ½/₂	1 ¾/₂	7 ¾	4 ½/₂	7 ¾	6 ½	287
47020300	2 ¼	60	300	27 ¾/₁₆	2 ¾/₁₆	2 ¼	8 ¾	5 ¾/₁₆	9 ¼/₁₆	7 ¼/₁₆	335
47020400	2 ½	80	400	27 ¼/₁₆	2 ¾/₁₆	2 ¾/₁₆	9 ¾/₂	5 ¾/₂	10 ¾	8 ¼/₁₆	397
47020600	3	120	600	31 ¼/₁₆	3 ¼/₂	2 ¾/₁₆	11 ¼/₁₆	6 ¾	13 ¾/₂	9 ¾/₁₆	650
47020800	3 ½	160	800	37 ¾/₁₆	4 ¾	3 ¾	12	8 ¼/₁₆	14 ¾/₁₆	11 ¾/₂	908
47020900	4	180	900	41 ¼/₁₆	4 ¾/₁₆	3 ¾/₁₆	14 ¾/₁₆	8 ¾	14 ¾/₂	12 ¼/₂	1146

Tolerance: ± 5%

26-06-2015