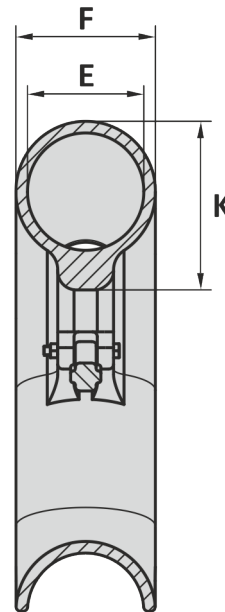
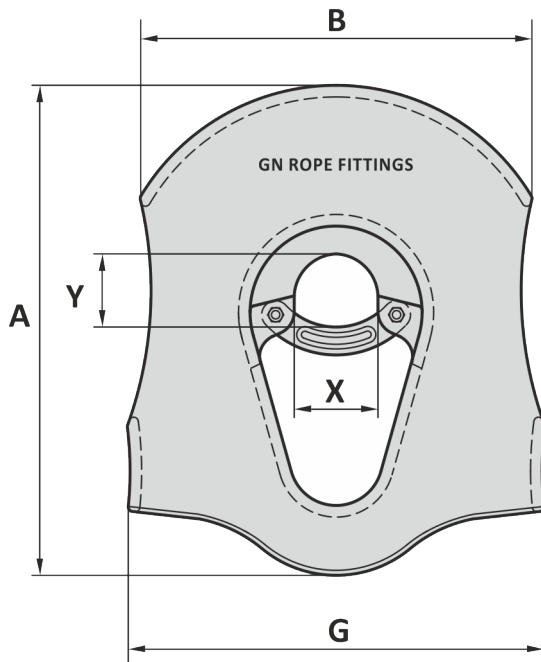
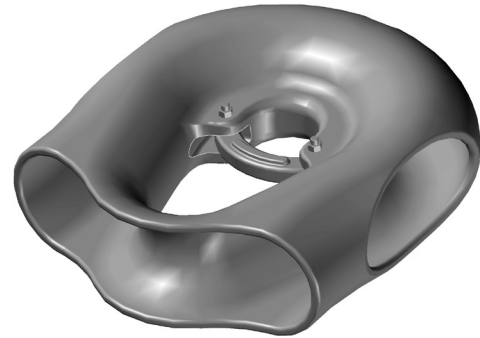


Material : Cast steel  
 Stainless steel  
 Finish : Galvanized (mild steel)  
 Self colored (stainless steel)  
 Temperature range : -20°C up to +200°C  
 Standard certification : Certificate of Conformity

Suitable for fibre rope  
 For connecting to a special shackle we can change dimension X and Y on request



Art. No. steel	Art. No. st. steel	Rope size inch	A mm	B mm	E mm	F mm	G mm	K mm	X mm	Y mm	Weight kg
16001113	21001113	11 - 13	530	320	132	157	477	170	105	105	52
16001415	21001415	14 - 15	655	476	154	183	598	200	116	124	83
16001618	21001618	16 - 18	795	542	184	212	721	252	143	143	126
16001921	21001921	19 - 21	940	657	209	261	880	309	168	177	297
16002224	21002224	22 - 24	1043	814	244	298	867	360	180	200	406

Tolerance: Cast parts ± 5%, machined parts ± 1 mm

Art. No. steel	Art. No. st. steel	Rope size inch	A inch	B inch	E inch	F inch	G inch	K inch	X inch	Y inch	Weight lbs
16001113	21001113	11 - 13	20 <sup>7</sup> / <sub>8</sub>	12 <sup>19</sup> / <sub>32</sub>	5 <sup>3</sup> / <sub>16</sub>	6 <sup>3</sup> / <sub>16</sub>	18 <sup>25</sup> / <sub>32</sub>	6 <sup>11</sup> / <sub>16</sub>	4 <sup>1</sup> / <sub>8</sub>	4 <sup>1</sup> / <sub>8</sub>	115
16001415	21001415	14 - 15	25 <sup>25</sup> / <sub>32</sub>	18 <sup>3</sup> / <sub>4</sub>	6 <sup>1</sup> / <sub>16</sub>	7 <sup>3</sup> / <sub>16</sub>	23 <sup>3</sup> / <sub>16</sub>	7 <sup>7</sup> / <sub>8</sub>	4 <sup>5</sup> / <sub>16</sub>	4 <sup>7</sup> / <sub>8</sub>	183
16001618	21001618	16 - 18	31 <sup>5</sup> / <sub>16</sub>	21 <sup>11</sup> / <sub>32</sub>	7 <sup>1</sup> / <sub>4</sub>	8 <sup>11</sup> / <sub>32</sub>	28 <sup>3</sup> / <sub>8</sub>	9 <sup>15</sup> / <sub>16</sub>	5 <sup>5</sup> / <sub>8</sub>	5 <sup>5</sup> / <sub>8</sub>	278
16001921	21001921	19 - 21	37	25 <sup>7</sup> / <sub>8</sub>	8 <sup>7</sup> / <sub>32</sub>	10 <sup>5</sup> / <sub>32</sub>	34 <sup>21</sup> / <sub>32</sub>	12 <sup>3</sup> / <sub>32</sub>	6 <sup>5</sup> / <sub>8</sub>	6 <sup>31</sup> / <sub>32</sub>	655
16002224	21002224	22 - 24	41 <sup>1</sup> / <sub>16</sub>	32 <sup>1</sup> / <sub>16</sub>	9 <sup>5</sup> / <sub>16</sub>	11 <sup>3</sup> / <sub>4</sub>	34 <sup>1</sup> / <sub>16</sub>	14 <sup>3</sup> / <sub>16</sub>	7 <sup>3</sup> / <sub>32</sub>	7 <sup>7</sup> / <sub>8</sub>	895

Tolerance: Cast parts ± 5%, machined parts ± 1/32 inch

29-03-2022