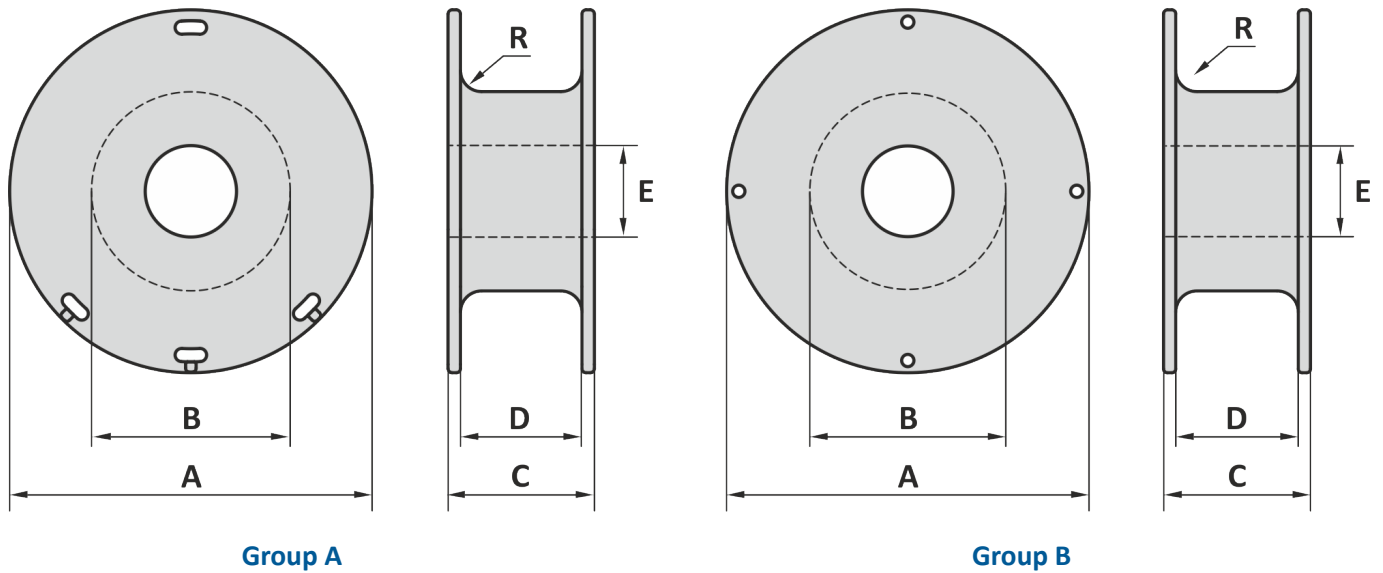
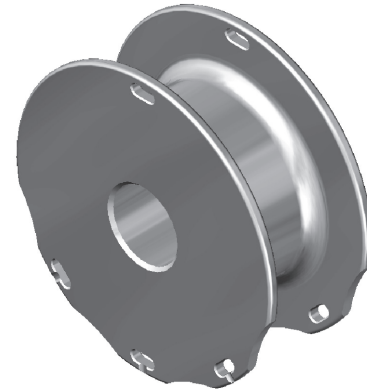


Material : Alloy steel, Grade R3/R3S/R4/R4S  
High tensile steel  
Finish : Painted or galvanized  
Temperature range : -40°C up to +200°C, Polar Rated  
Standard certification : Certificate of Conformity  
3.1 material certificate EN 10204

to suit: **shackle - rope**  
**H- or Y-link - rope**  
**plate connector - rope**

Non-standard sizes or custom products available on request



\* Thimbles with tapped holes (lifting points) or concave cut outs (anti-rotation) available on request

Art. No.	A mm	B mm	C mm	D mm	E mm	R mm	Group	Weight kg
18010520	520	330	170	140	140	40	B	128
18010580	580	360	210	160	130	40	A	213
18010144	600	390	250	205	150	40	B	263
18010610	610	400	258	208	165	50	B	285
18010690	690	414	280	230	174	40	A	341
18010750	750	450	300	250	187	40	A	424
18010900	900	500	340	270	210	50	A	681

Tolerance: Machined part ± 1%

Art. No.	A inch	B inch	C inch	D inch	E inch	R inch	Group	Weight lbs
18010520	20 1/2	13	6 1/16	5 1/2	5 1/2	1 1/16	B	282
18010580	22 2/32	14 3/16	8 1/4	6 5/16	5 1/8	1 1/16	A	470
18010144	23 5/8	15 11/32	9 23/32	8 1/16	5 29/32	1 1/16	B	580
18010610	24	15 3/4	10 9/32	8 3/16	6 1/2	1 31/32	B	628
18010690	27 3/32	16 5/16	11 1/32	9 1/16	6 23/32	1 1/16	A	752
18010750	29 1/32	17 23/32	11 1/16	9 27/32	7 3/8	1 1/16	A	935
18010900	35 1/16	19 11/16	13 3/8	10 5/8	8 1/4	1 31/32	A	1501

Tolerance: Machined part ± 1%

19-04-2021