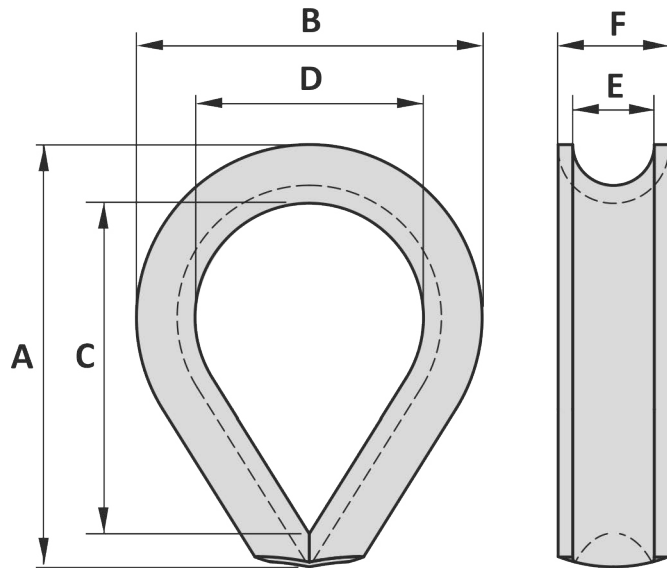


GENERAL
SHACKLES
THIMBLES
SOCKETS
LINKS
SWIVELS
HOOKS
MOORING
OTHERS

Material : Mild steel
 Finish : Galvanized
 Temperature range : -4°F up to +392°F
 Standard certification : Certificate of Conformity

Suitable for wire rope
 Non-standard sizes or custom products available on request



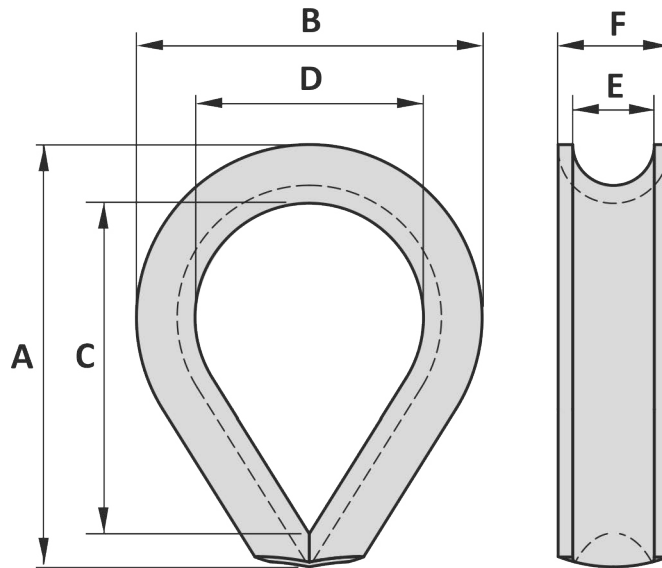
Art. No.	A inch	B inch	C inch	D inch	E inch	F inch	Packing	Weight lbs/100
11020000	2	1 2½/2	1 ¾/8	7/8	1½/2	9/16	600	18
11025000	2.5	1 3½/2	1 25/32	1 3/16	7/16	5/8	400	22
11030000	3	1 3½/2	2 5/32	1 3/8	½	23/32	300	44
11035000	3.5	2 7/8	2 9/16	1 25/32	19/32	25/32	150	57
11040000	4	2 15/16	2 15/16	1 31/32	1¼/16	7/8	150	79
11045000	4.5	3 1½/2	3 5/32	2 3/32	¾/4	1	75	110
11050000	5	3 15/16	3 9/16	2 3/8	13/16	1 1/8	75	132
11055000	5.5	4 5/16	3 ¾/4	2 9/16	29/32	1 3/16	40	154
11060000	6	4 17/32	4 23/32	2 ¾/4	1	1 11/32	40	220
11070000	7	5 5/16	5 ½/2	3 5/32	1 3/16	1 ½	25	353
11080000	8	6 5/32	6 5/16	3 15/16	1 5/16	1 ¾/4	20	397
11090000	9	6 7/8	7 7/32	4 17/32	1 ½	1 15/16		772
11100000	10	7 15/32	7 11/16	4 23/32	1 5/8	2 1/16		970
11110000	11	8 ¼/4	8 15/32	5 5/8	1 13/16	2 3/8		1146
11120000	12	9 21/32	9 27/32	5 23/32	2 1/16	2 9/16		1609
11140000	14	10 ¼/4	11 13/32	6 3/32	2 3/8	2 27/32		2425
11170000	17	12 3/16	14 9/16	7 15/32	2 ¾/4	3 5/16		3527
11190000	19	13 25/32	16 17/32	9 1/16	3 3/16	4 11/16		6063
11220000	22	15 9/16	18 29/32	10 ½/2	3 5/8	5 1/8		8047
11240000	24	16 15/16	21 ¼/4	11 1/32	4 1/8	5 23/32		9700
11260000	26	17 23/32	22 27/32	11 7/32	4 23/32	6 3/2		10362

Tolerance: Forged parts ± 5%

19-05-2015

Material : Mild steel
 Finish : Galvanized
 Temperature range : -20°C up to +200°C
 Standard certification : Certificate of Conformity

Suitable for wire rope
 Non-standard sizes or custom products available on request



Art. No.	A inch	B mm	C mm	D mm	E mm	F mm	Packing	Weight kg/100
11020000	2	42	35	22	9	14	600	8.2
11025000	2.5	50	45	30	11	16	400	10
11030000	3	50	55	35	13	18	300	20
11035000	3.5	73	65	45	15	20	150	26
11040000	4	75	75	50	17	22	150	36
11045000	4.5	85	80	53	19	25	75	50
11050000	5	100	90	60	21	29	75	60
11055000	5.5	110	95	65	23	33	40	70
11060000	6	115	120	70	25	34	40	100
11070000	7	135	140	80	30	38	25	160
11080000	8	155	160	100	33	44	20	180
11090000	9	175	185	115	38	49		350
11100000	10	190	195	120	41	52		440
11110000	11	210	215	130	46	60		520
11120000	12	245	250	145	52	65		730
11140000	14	260	290	155	60	72		1100
11170000	17	310	370	190	70	84		1600
11190000	19	350	420	230	81	119		2750
11220000	22	395	480	255	92	130		3650
11240000	24	430	540	280	105	145		4400
11260000	26	450	580	285	120	155		4700

Tolerance: Forged parts ± 5%

19-05-2015